

## TRILOBIT 300, 600, 900, 1200 WHITE



TRILOBIT WHITE - LED surface-mount light line for static or dynamic surface illumination, for indoor and mainly for outdoor use. The linear fixture Trilobit White utilises the latest OSRAM LED technology. The refined thermal management system incorporates a sleek and robust heat sink directly into the fixture to ensure maximum heat transfer and long LED life. This linear module bringing the flexibility to outdoor application. It is ideally suited to use in facade illumination, and IP66 ensures safe operation in even the most demanding areas. Available lengths 300, 600, 900, 1200 mm as standard.

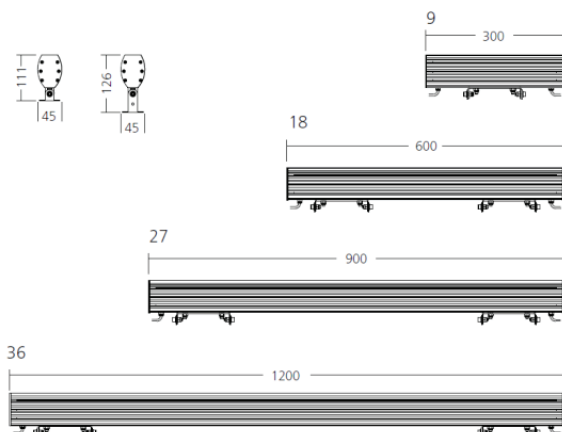


### PRODUCT SPECIFICATIONS

- INPUT VOLTAGE: 230 VAC / 50 Hz or 48 V DC (LOW VOLTAGE)
- EFFICIENCY: > 92%
- POWER CONSUMPTION:
 

L = 300 mm	max. 13 W (up to 1360 lm)	L = 600 mm	max. 27 W (up to 2640 lm)
L = 900 mm	max. 40 W (up to 3840 lm)	L = 1200 mm	max. 54 W (up to 4875 lm)
- LIFETIME: > 70 000 hours
- THERMAL PROTECTION: yes
- LED DEVICE: OSRAM high power LEDs
- LED VARIANTS: 3000K, 4000K, 5700K and other according requirement
- WEIGHT: 0,8 kg, 1,9 kg, 3,0 kg, 3,9 kg
- OPERATING TEMPERATURE: range -20 °C to +40°C
- ENVIRONMENT: for OUTDOOR use, IP66
- MATERIALS: housing-die-cast Aluminium, cover-tempered glass
- CONTROL: ON/OFF or DMX 512 dimming control

### DIMENSIONAL DRAWINGS



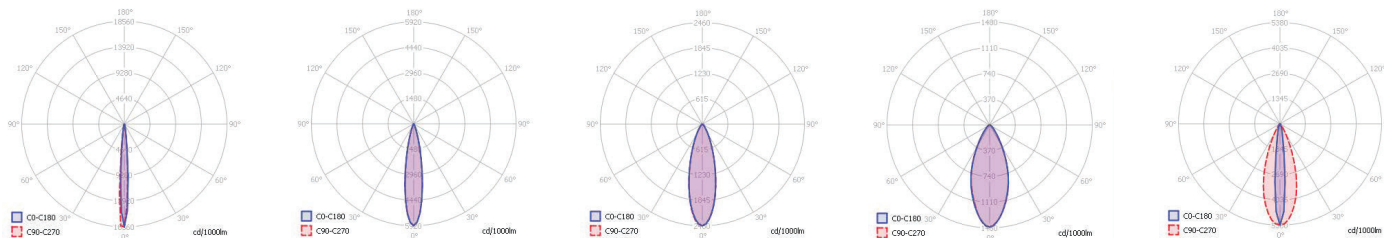
### PICTURE



## TRILOBIT 300, 600, 900, 1200 WHITE

### PHOTOMETRICS

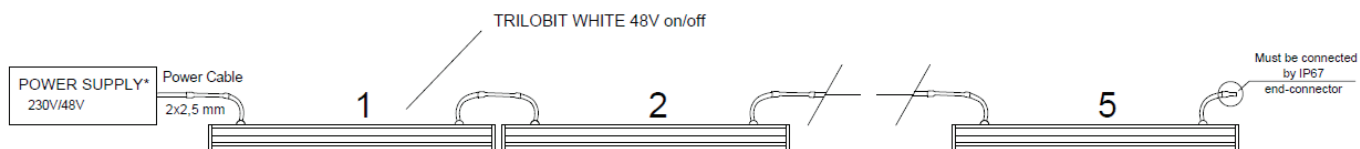
- Variants: SPOT, NARROW, MEDIUM, WIDE, FLOOD, OVAL, ASSYMETRIC



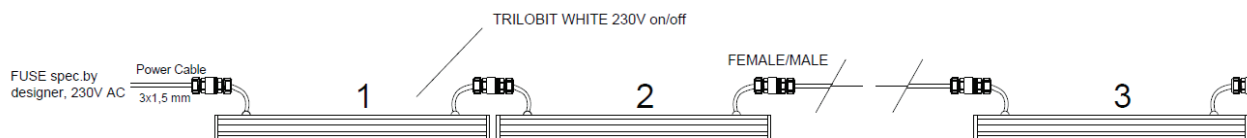
### ACCESSORIES

- See WEB site Constant Voltage power supply 230/48V ect.

### CONNECTION



\*Type of POWER SUPPLY depends on quantity of used luminaires in daisy chain. Power and type must be specified by designer.



\* Outdoor cable and max.length must be specified by designer.