

SOPHIA QUATTRO 7 RGBW LED



The SOPHIA QUATTRO 7 RGBW offers a high light output from the latest LED multichip technology, along with a full range of precision optics. With an IP Rating of 66 this product is ideal for outdoor lighting applications offering solutions to many landscape lighting scenarios.

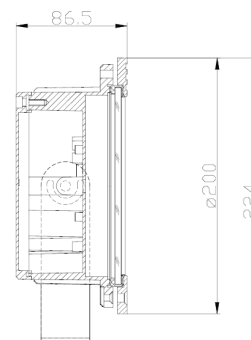
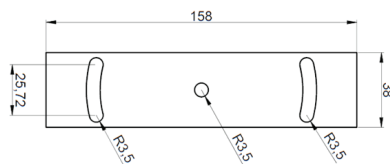
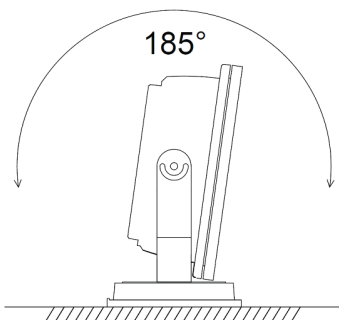
Bringing the flexibility to outdoor application, this lighting fixture is ideally suited to use in building illumination, and IP66 ensures safe operation in even the most demanding areas.



PRODUCT SPECIFICATIONS

- INPUT VOLTAGE: 48V DC (compatible constant current driver required, see web site-user manual)
- EFFICIENCY: > 85 %
- POWER CONSUMPTION: 7 RGBW LED chips ... 42W (max.possible current 380 mA / channel)
- LIFETIME: > 70 000 hours
- THERMAL PROTECTION: yes
- LED DEVICE: OSRAM high power RGBW LEDs
- LED VARIANTS: RGBW or DYNAMIC WHITE
- WEIGHT: 2,9 kg
- OPERATING TEMPERATURE: range -20°C to +40°C
- ENVIRONMENT: for OUTDOOR use, IP66
- MATERIALS: housing-die-cast Aluminium, cover-tempered glass
- CONTROL: DMX 512 dimming control, RDM protocol for addressing

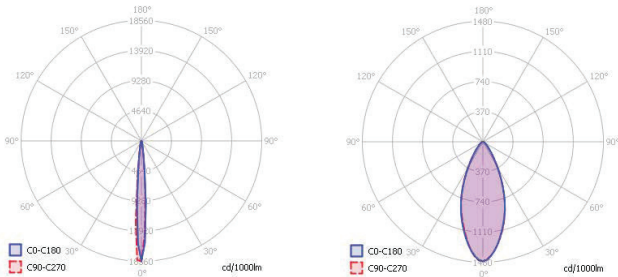
DIMENSIONAL DRAWINGS



SOPHIA QUATTRO 7 RGBW LED

PHOTOMETRICS

- Variants: SPOT, OVAL



ACCESSORIES

- See WEB site. DMX constant current driver , ect.

CONNECTION

- Option 48V DC

