

SOPHIA BIG ALU

SOPHIA SERIES



INTRODUCTION

SAVE ENERGY WITH PRECILUM

The Sophia series was created for customers looking for flexible lighting solutions for garden and park spaces. Thanks to the moveable fixture, the light beam can be pointed in any direction.

- Based on CREE® LEDs
- 230V AC
- Made of aluminum
- Power: 30W
- IP67
- 5 year warranty

APPLICATIONS

SOPHIA BIG ALU

The PRECILUM SOPHIA BIG ALU fixture can be used for lighting many places and objects such as:

- parks
- gardens
- exterior walls
- premises
- plants
- monuments

SPECIFICATION

LIGHT COLOUR	CONFORT WHITE	WARM WHITE	NEUTRAL WHITE	COOL WHITE
Colour Temperature*	2700 ±150K	3000 ±150K	4000 ±250K	5000 ±150K
Effective Lumen Output**	3100 lm	3300 lm	3500 lm	3600 lm
CRI	≥ 80			
Viewing Angle [FWHM]	24°, 38°			
Input Voltage	230V AC 50Hz			
Power Consumption	30 W			
Operating Temperature	-20°C ÷ +55°C			
Dimensions	Ø 194 mm			
Cable Type	H07RN-F 3G1 with plug			
Cable Length	2 m			
IP Rating	IP67			
Lifetime***	≥ 60 000 h			

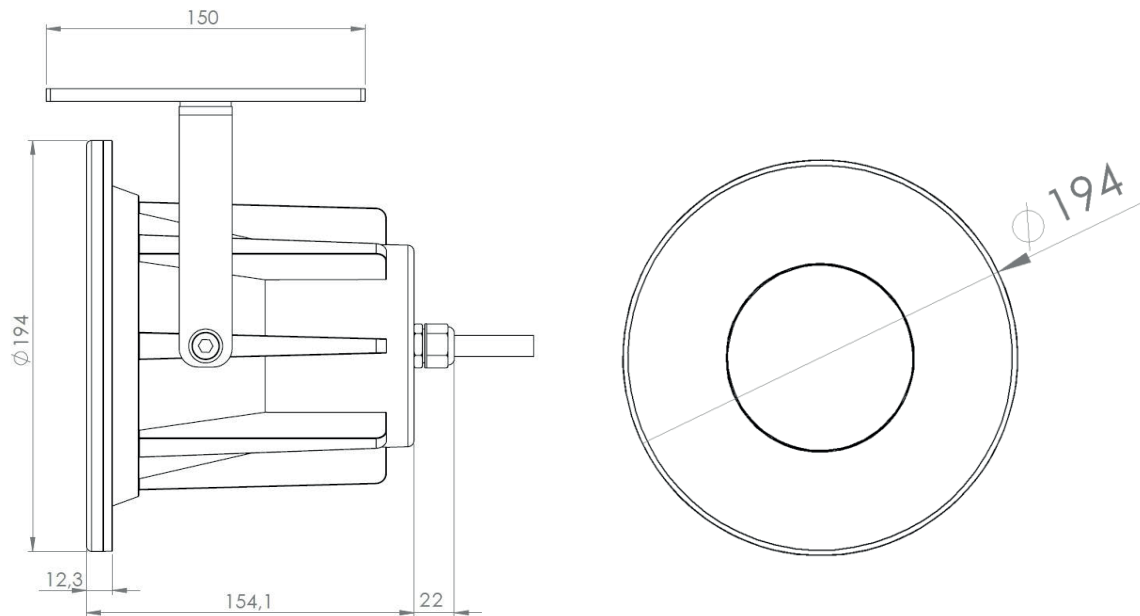
* Other CCTs and colours available on request.

** Source performance in real life conditions at Ta=25°C; includes optical losses; the tolerance of source lumen output is 5%.

*** Approximate lifetime of LEDs declared by Cree® at Ta=25°C (for 80% of initial light output) and other electronic components.

DIMENSIONS [MM]

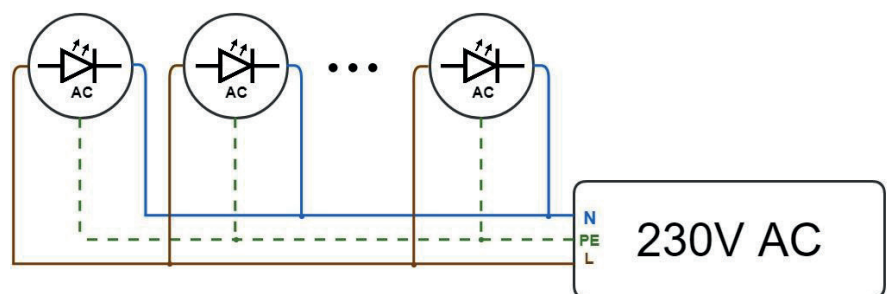
ROUND FRONT



ELECTRICAL INSTALLATION

CONNECTION

Connecting to the power supply should be done when the power supply is off.



ORDER CODE FORMAT

EXPLANATION

	POWER		FWHM ANGLE		MATERIAL OF THE FRONT / BODY	
SOPHIA BIG ALU	- 30 -	VW	- 24 -	RD	- AA -	HV
FAMILY		CCT	24-24 degrees 38-38 degrees	FRONT PLATE	AA - Aluminium front and body	SUPPLY VOLTAGE
		VW 2700K WW 3000K NW 4000K CW 5000K		RD - Round		HV - 230V AC, 50Hz

ENVIRONMENTAL CAUTION

CAUTION!



It is prohibited to dispose of obsolete and waste electrical and electronic equipment together with regular household wastes. They should be properly sorted and recycled. Old electrical and electronic equipment should be returned to a waste collection point established by a waste management service. Waste electrical and electronic equipment can be broken down to base materials and then recycled. For more information regarding waste management please contact your local authorities, waste management service or the seller of electrical and electronic devices.