

# TWIN WALL

## CUBE COB (ON/OFF, DALI)

TWIN WALL CUBE COB 1×18

TWIN WALL CUBE COB 2×13



The PRECILUM TWIN WALL COB range brings the TWIN WALL CUBE COB to the outdoor world of Wall-Mounted lighting. Bringing the flexibility to outdoor application, this lighting fixture is ideally suited to use in the building illumination.

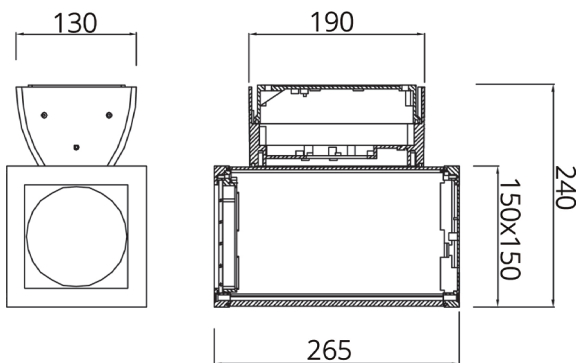
Illumination is possible only UP or common option is UP/DOWN. IP65 ensures safe operation in even the most demanding areas.



### PRODUCT SPECIFICATIONS

- INPUT VOLTAGE: 230V AC/50 Hz
- EFFICIENCY: > 92%
- POWER CONSUMPTION: 1×18W COB...22W (up to 2178lm)  
2×13W COB...30W (up to 2×1430lm)
- LIFETIME: > 50 000 hours
- THERMAL PROTECTION: yes
- LED DEVICE: CITIZEN COB
- LED VARIANTS: 3000K,4000K,5000K and other according requirement
- WEIGHT: 4,55 kg, 5,3 kg
- OPERATING TEMPERATURE: range -20 °C to +40°C
- ENVIRONMENT: four OUTDOOR use, IP65
- HOUSING COLOR: RAL 7015 and other RAL according requirement
- MATERIALS: housing-die-cast Aluminium, cover-tempered glass
- CONTROL: ON / OFF or DALI

### DIMENSIONAL DRAWINGS



### INSTALLATION PICTURE

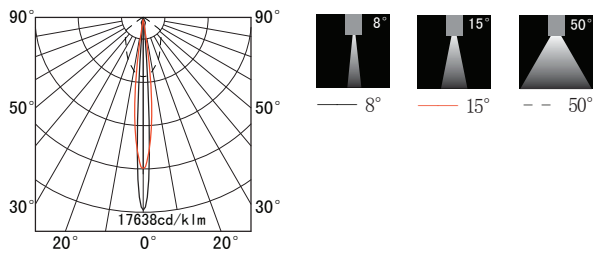


TWIN WALL CUBE COB 1×18

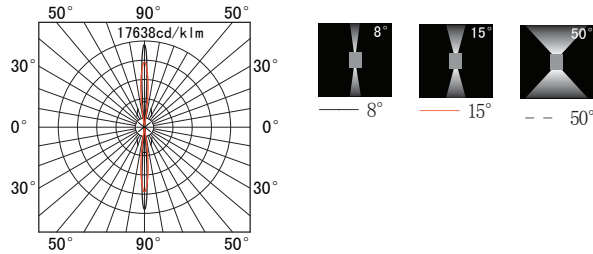
TWIN WALL CUBE COB 2×13

## PHOTOMETRICS

- Variants: 8°, 15°, 50°



TWIN WALL CUBE COB 1×18



TWIN WALL CUBE COB 2×13

## ACCESSORIES

- See WEB site

## CONNECTION

- SERIAL CONNECTION MUST BE DONE BY CERTIFIED ELECTRICIAN