

InGROUND 24 WHITE (ON/OFF, DALI, DMX)



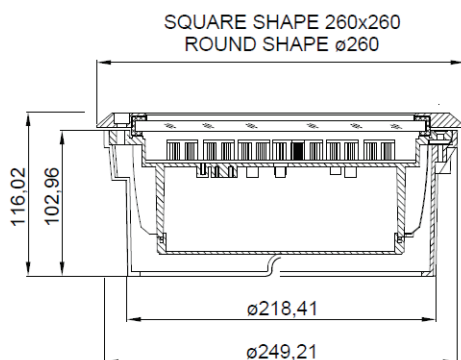
When no dimming or control is required the INGROUND 24 WHITE (internal driver) is available in a variety - range of white colour temperatures. IN G ROUND 24 WHITE bringing the flexibility to outdoor application, this powerful lighting fixture is ideally suited to use in landscape and building illumination, and IP67 ensures safe operation in even the most demanding areas.



PRODUCT SPECIFICATIONS

- INPUT VOLTAGE: 230VAC/50Hz
- EFFICIENCY: > 92 %
- POWER CONSUMPTION: 24 × LED ... 37W (up to 3400lm)
- LIFETIME: > 70 000 hours
- THERMAL PROTECTION: yes
- LED DEVICE: OSRAM high power LEDs
- LED VARIANTS: 3000K, 4000K, 5700K and other according requirement
- WEIGHT: 4,9 kg
- OPERATING TEMPERATURE: range -20°C to +40°C
- ENVIRONMENT: for OUTDOOR use, IP67
- MATERIALS: housing-die-cast Aluminium, cover-tempered glass and Stainless Steel ring
- CONTROL: DALI, DMX or ON/OFF only

DIMENSIONAL DRAWINGS



VARIANTS



InGROUND - Round

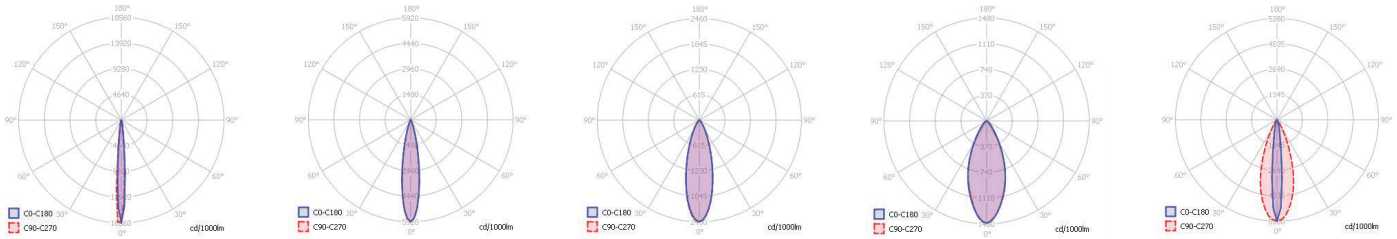


InGROUND - Square

InGROUND 24 WHITE (ON/OFF, DALI, DMX)

PHOTOMETRICS

- Variants: SPOT, NARROW, MEDIUM, WIDE, FLOOD, OVAL, ASSYMETRIC



ACCESSORIES

- See WEB site

CONNECTION

- Option 230V AC

