

MOUNTING MANUAL FOR INGROUND STANDARD

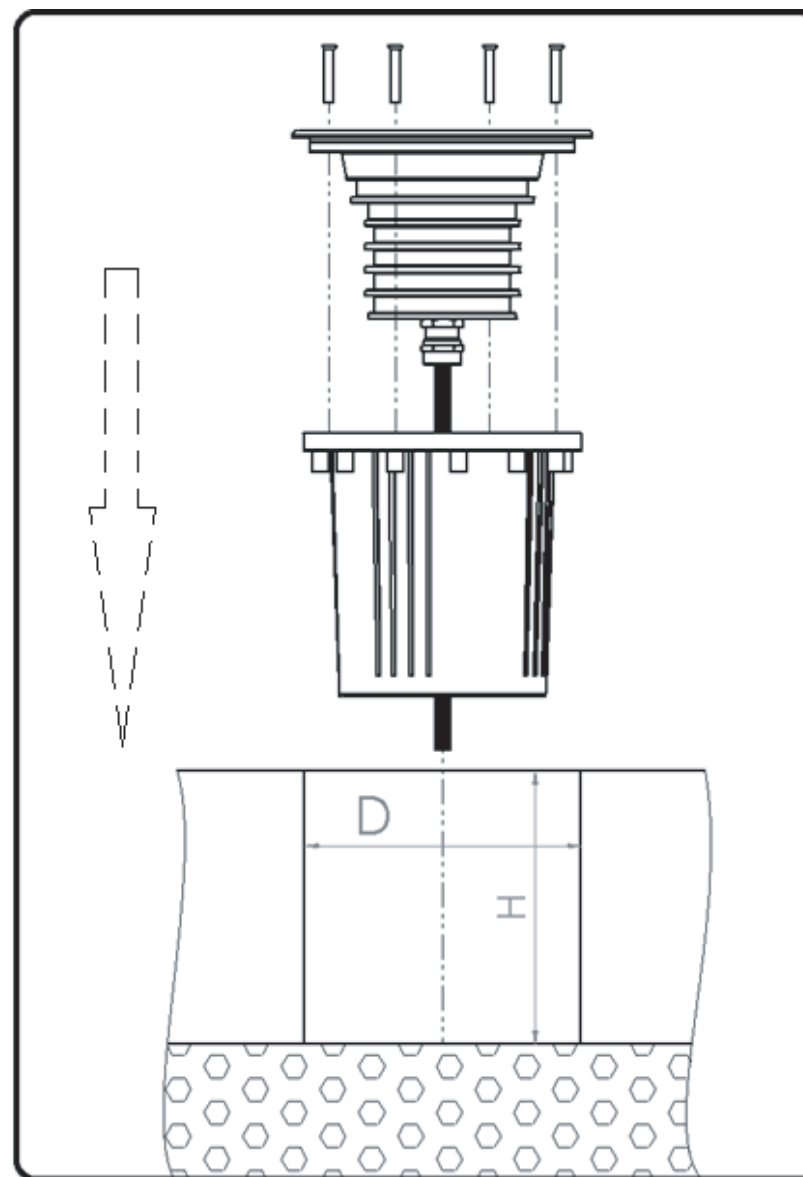
INSTALLATION STEPS (READ COMPLETELY BEFORE INSTALLATION)

- Prepare the recess if not done yet (for dimensions see Table 1). When installing the lighting unit outdoors provide a gravel bed, 20 cm thick, beneath the installation pot. This serves as drainage of water.
- Install the luminaire as shown in the figure 1.

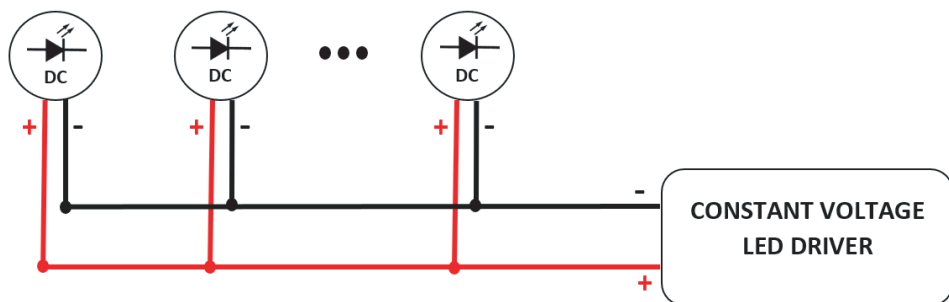
ELECTRICAL CONNECTION

- ⚠ Installation, mounting or works on the electrical connection may only be carried out by an approved electrician.
- ⚠ Always switch off the mains or respectively the connection lead before doing any works!
- ⚠ Use only parts, which are supplied with the product or are described as accessories!
- Establish the connection as shown in the schematic drawing 1 & 2.
- The product must be able to be separated by an all pole separation from the current supply.
- Connect the black or brown wire (live conductor), the blue wire (neutral conductor) and the green-yellow wire (protective conductor) of the mains supply with the corresponding wires of the product.
- All connections must be properly protected and sealed against penetration of water and dirt!
- ⚠ Check if the product functions properly and is securely fixed!

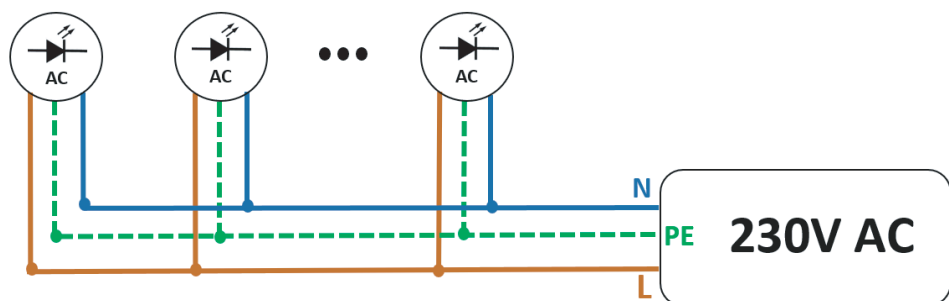
LUMINAIRE TYPE	GROUND POT TYPE	D [mm]	H [mm]
INGROUND STANDARD	INGROUND-STANDARD-ABS-1	81,3	108
	INGROUND-STANDARD-ABS-2	81,3	205
INGROUND MEDIUM	INGROUND-MEDIUM-ABS	137	130
INGROUND BIG	INGROUND-BIG-ABS	201	227
INGROUND ALU 5W STANDARD	INGROUND-ALU-5W STANDARD-ABS-1	81,3	108
	INGROUND-ALU-5W STANDARD-ABS-2	81,3	205
INGROUND ALU 17W MEDIUM	INGROUND-ALU-17W- MEDIUM-ABS	137	130
INGROUND ALU 30W BIG	INGROUND-ALU-30W- BIG-ABS	201	227



SCHEMATIC DRAWING 1 [FOR LOW VOLTAGE VERSION]



SCHEMATIC DRAWING 2 [FOR HIGH VOLTAGE VERSION]



SAFETY WARNINGS

- ⚠ Installation, mounting or works on the electrical connection may only be carried out by an approved electrician.
- ⚠ The connection cord cannot be replaced when damaged. Do not operate the product with a damaged connection cord. In this case the complete product must be disposed.
- ⚠ Do not look directly into the light source.
- ⚠ The cable of the luminaire may not be placed underground without protective .
- ⚠ The product may not be modified or converted.
- ⚠ Do not cover the product - provide free air circulation.
- ⚠ The luminaire may only be operated with a complete and intact protection glass.
- ⚠ In case of a malfunction you may NOT touch the product or operate it further. Disconnect the product from the power supply by an external switch or by the fuse.

MAINTENANCE AND CARE

- The light source of this luminaire is not replaceable. In case that the light source must be replaced (e.g. at the end of its lifetime) the whole luminaire needs to be replaced.
- ⚠ Before cleaning, disconnect the luminaire from the power supply and let it cool down.
- Regularly clean luminaire from dirt, deposits and leaves.
- In luminaires with protection class above IP65, high pressure cleaner can be used.