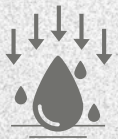


ADVANCED LED MINIATURE LUMINAIRE  
FOR ARCHITECTURAL APPLICATIONS

# THE LINEAR MICRO OUTDOOR



PROTECTION  
IP67, IP68



TECHNOLOGY  
RGBW/RGBA/RGBTW



CCT LED  
2200-6000K

**PRECILUM**<sup>®</sup>  
SPECIAL LED LIGHTING SOLUTIONS



# CONTENT

---

**LINEAR MICRO OPAL** 03

---

**LINEAR MICRO OPTIC** 05

---

**ADM TECHNOLOGY** 07

---

**ARENA BRNO HALL** 09

---



THE LINEAR 03 MICRO OUTDOOR

# LINEAR MICRO OPAL



AMBIENT EFFECT



UV POLYURETHANE COATING\*



NON OPTIC



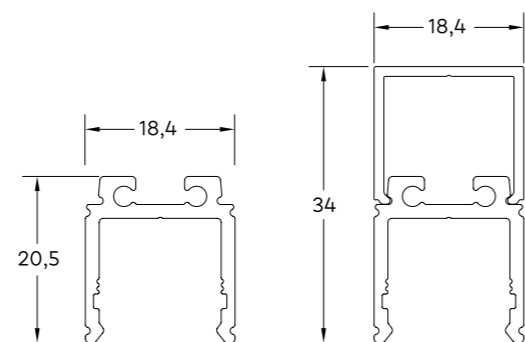
IP67 / IP68 PROTECTION



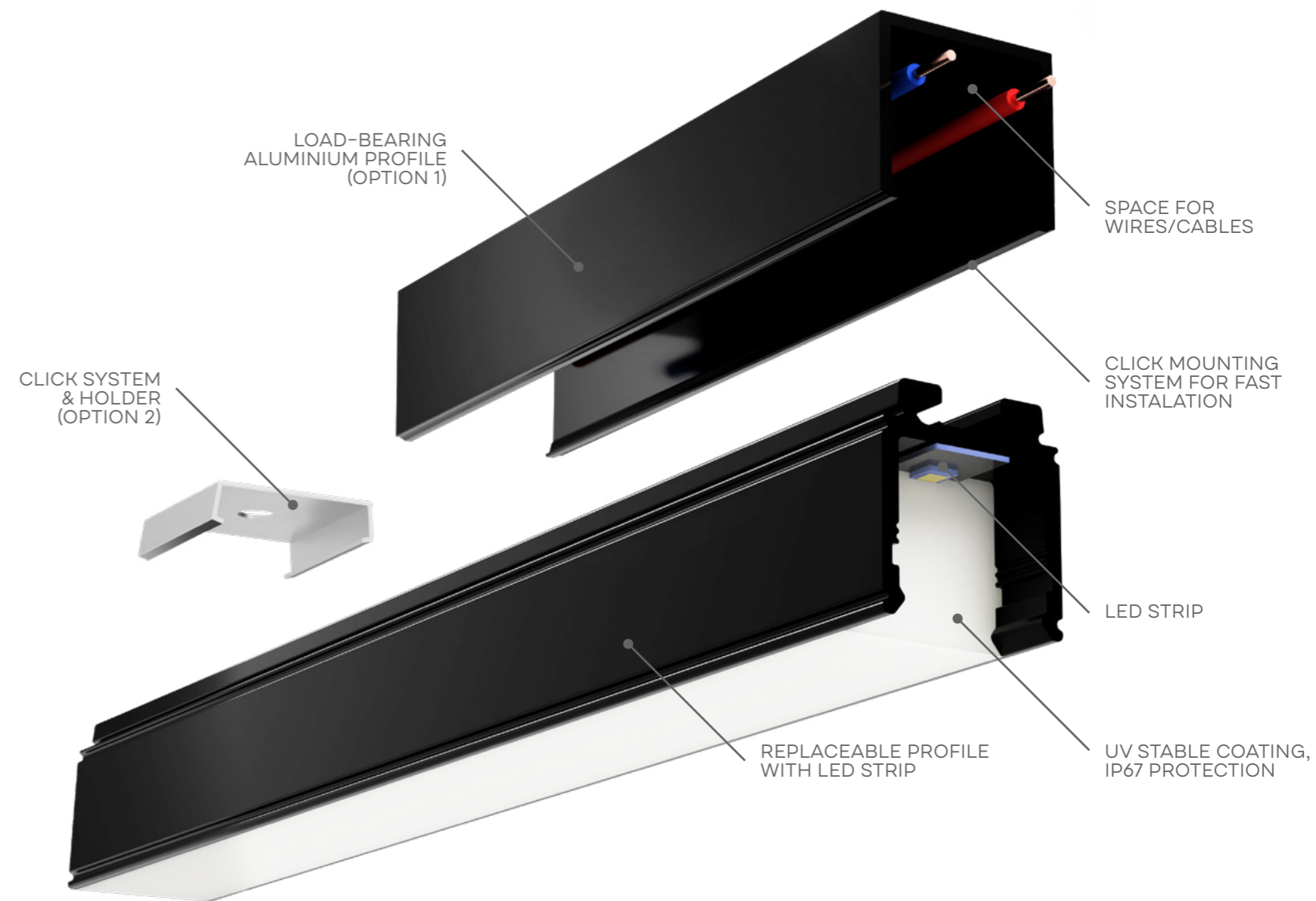
TECHNOLOGY OSRAM / TRIDONIC

INPUT VOLTAGE	24V DC
CONTROL	DMX, DALI, SPI, ON/OFF
LED VARIANT	WHITE 2700K-6500K, RGB, RGBW
POWER	UP TO 25 W/M

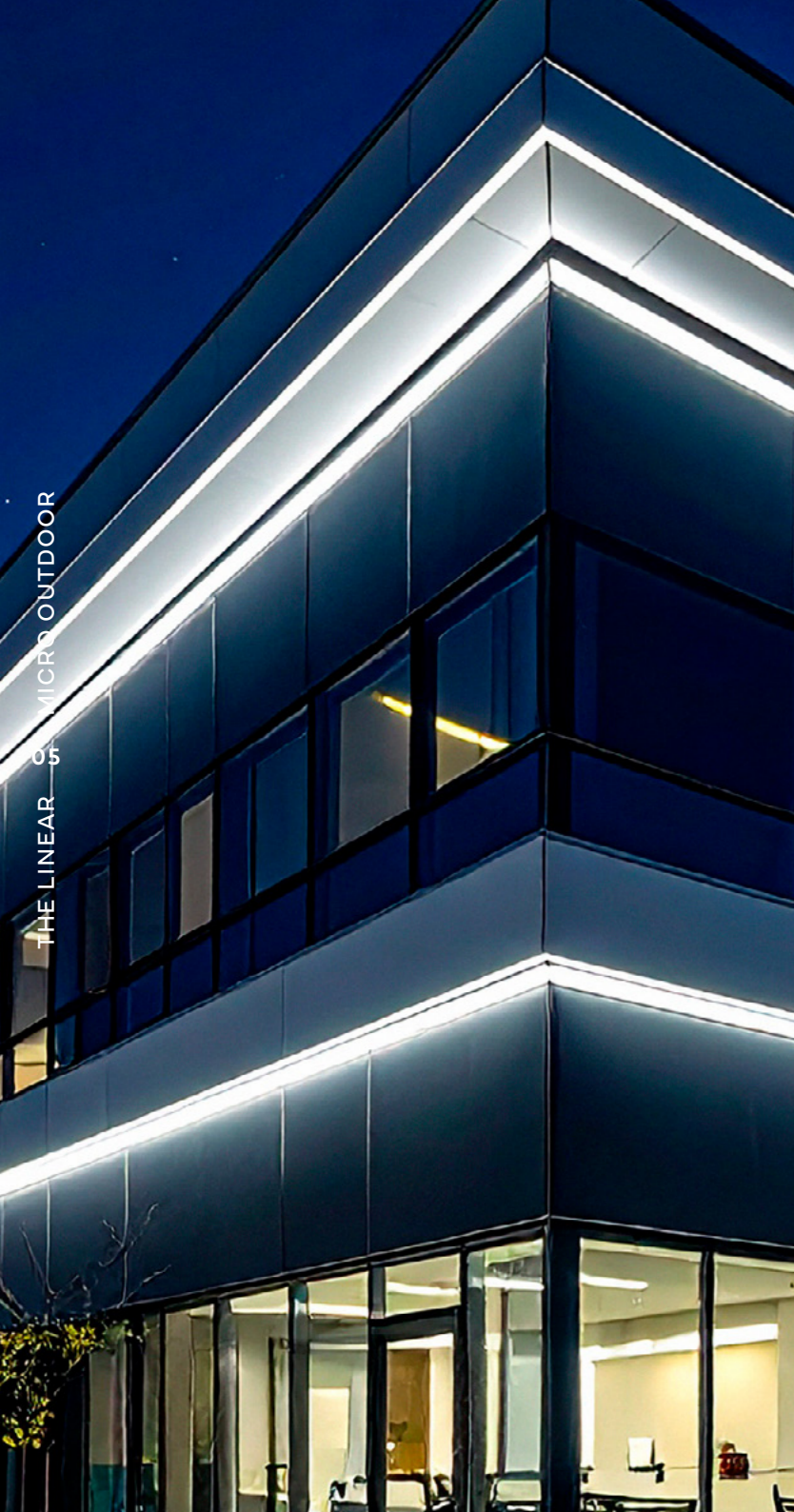
## TECHNICAL DRAWING



\* UV stable polyurethane coating - various OPAL intensity



THE LINEAR 04 MICRO OUTDOOR



# LINEAR MICRO OPTIC



WALL WASHER EFFECT



SILICONE COATING



OPTIC

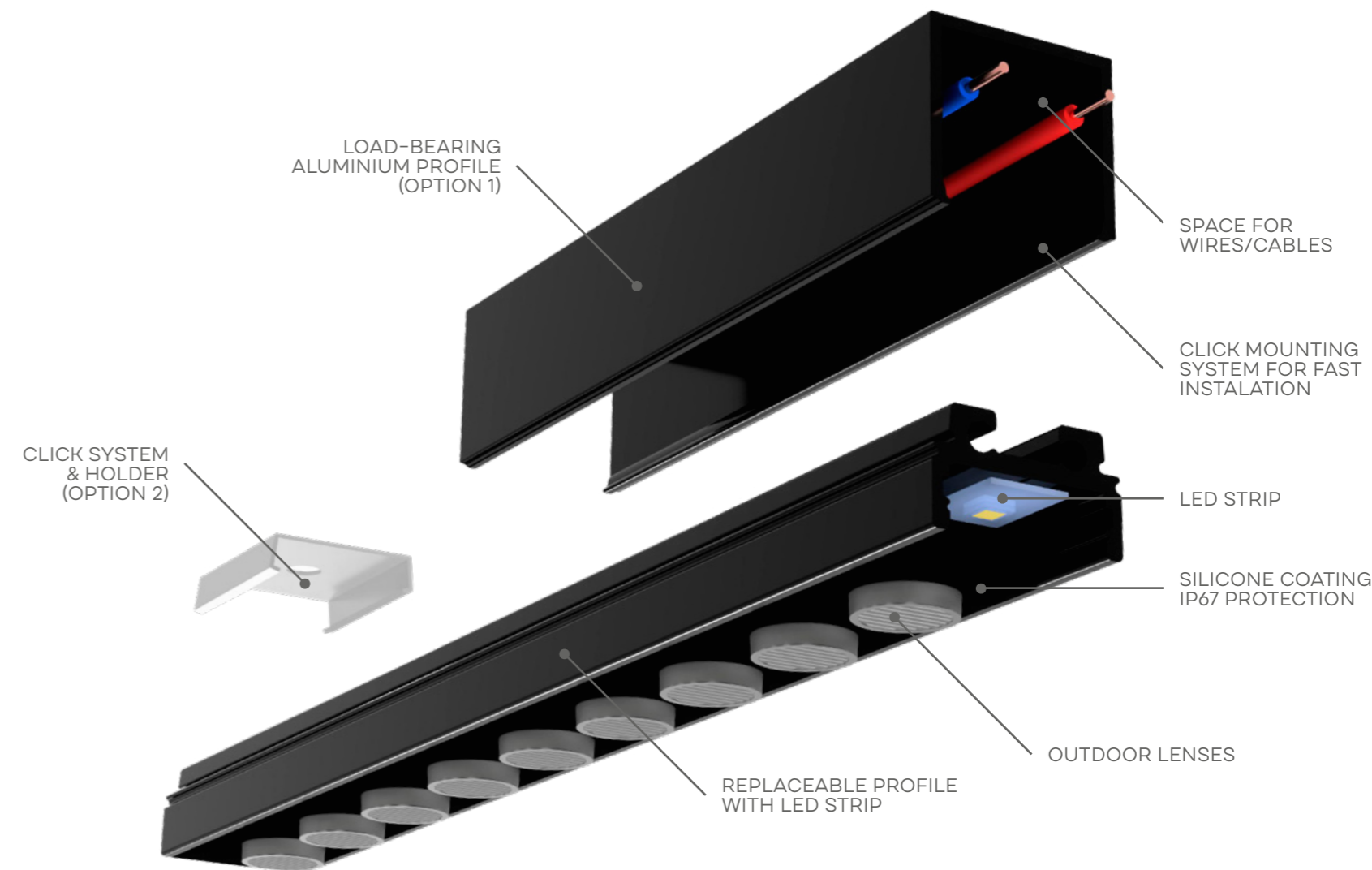
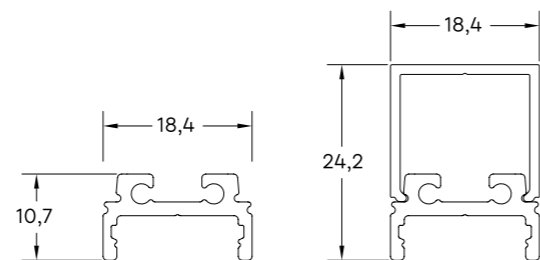


IP67 / IP68 PROTECTION



TECHNOLOGY OSRAM / TRIDONIC

INPUT VOLTAGE	24V DC
CONTROL	DMX, DALI, SPI
LED VARIANT	WHITE 2700K-6500K, RGB, RGBW
POWER	UP TO 25 W/m
TECHNICAL DRAWING	





# ADM TECHNOLOGY

## 01 — COMPREHENSIVE PROTECTION AGAINST ENVIRONMENTAL INFLUENCES

THE COATING MATERIAL CREATES A SOLID, UNIFORM BARRIER AROUND THE SENSITIVE PARTS OF THE LED MODULE. IT PROTECTS AGAINST MOISTURE, DUST, CORROSION, AND CHEMICALS, WHICH SIGNIFICANTLY REDUCES THE RISK OF FAILURE.

## 02 — VIBRATION, SHOCK, MECHANICAL STRESS

THE COATING ACTS AS A SHOCK ABSORBER - IT FIXES THE COMPONENTS INSIDE THE MODULE, DAMPENS SHOCKS, AND PREVENTS DAMAGE FROM VIBRATIONS.

## 03 — BETTER THERMAL MANAGEMENT

HIGH-QUALITY DISPENSING COAT MATERIALS HELP DISSIPATE HEAT FROM SENSITIVE COMPONENTS, REDUCING THE RISK OF OVERHEATING AND PERFORMANCE DEGRADATION.

## 04 — LONGER SERVICE LIFE AND RELIABILITY

EXTENDS THE SERVICE LIFE OF LED MODULES AND REDUCES FAILURE RATES AND MAINTENANCE COSTS.

## 05 — COMPATIBILITY WITH AUTOMATION AND PRODUCTION EFFICIENCY

THE MACHINE IS DESIGNED FOR PRECISE DOSING AND MIXING OF COMPONENTS. THIS ENABLES HIGH REPEATABILITY, MINIMISATION OF ERRORS, AND EFFICIENT INTEGRATION INTO AUTOMATED PRODUCTION PROCESSES.



AN INDIVIDUAL APPROACH AND CUSTOMISED SOLUTIONS - FROM PROTOTYPES TO SERIAL PRODUCTION.  
COMPATIBLE WITH ALUMINIUM PROFILES RANGING FROM 10 CM TO 3.5 M.  
SUITABLE FOR A WIDE RANGE OF LED STRIPS AND LED CHIPS.



# MODERN HALL T-MOBILE ARENA

THE MULTIFUNCTIONAL T-MOBILE ARENA IS THE LARGEST STRATEGIC PROJECT IN BRNO, CZECHIA.

PRECILUM® AS GENERAL CONTRACTOR OF AMBIENT FACADE LIGHTING. DYNAMIC LIGHT FOR SPORTS, CULTURE, AND EMOTIONS. CUTTING-EDGE, TAILOR-MADE TECHNOLOGICAL SOLUTION. IMPLEMENTATION 2025-2026.

**2970 m**  
LINEAR MICRO OPAL RGBW

**550 m**  
LINEAR MICRO OPTIC RGBW

**PRECILUM**<sup>®</sup>  
SPECIAL LED LIGHTING SOLUTIONS

CLEVER DESIGN  
**NEVER AGES...**

757 01 VALASSKE MEZIRICI  
CZECH REPUBLIC

SALES@PRECILUM.COM  
+420 603 770 788

[WWW.PRECILUM.COM](http://WWW.PRECILUM.COM)