

## BOLLARD CUBE MINI 25747 (ON/OFF, DALI)



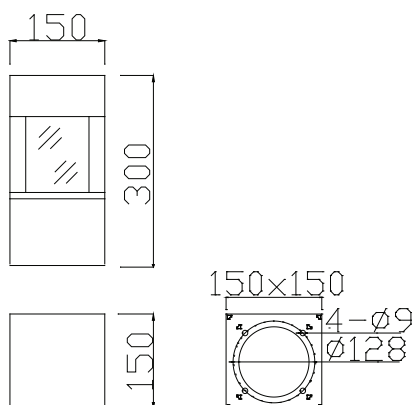
A timeless bollard offering comfortable visual guidance. Comfortable white light with no glare. Ground/floor installation. Whether our range is used to illuminate public spaces, residential gardens, paths or driveways - you will find the correct light distribution for every requirement.



### PRODUCT SPECIFICATIONS

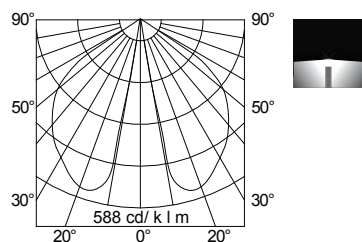
- INPUT VOLTAGE: 230V /50 Hz
- EFFICIENCY: > 92%
- POWER CONSUMPTION: 1 × COB ... 15W (up to 410 lm)
- LIFETIME: > 50 000 hours
- THERMAL PROTECTION: yes
- LED DEVICE: CITIZEN or OSRAM COB
- LED VARIANTS: 3000K,4000K,5000K and other according requirement
- WEIGHT: 3,07 kg
- OPERATING TEMPERATURE: range -20 °C to +40°C
- ENVIRONMENT: four OUTDOOR use, IP54
- HOUSING COLOR: RAL 7015 and other RAL according requirement
- MATERIALS: housing-die-cast Aluminium, UV resistant PC transparent cover
- CONTROL: ON / OFF or DALI

### DIMENSIONAL DRAWINGS



## BOLLARD CUBE MINI 25747 (ON/OFF, DALI)

### PHOTOMETRICS



### ACCESSORIES

- See WEB site

### CONNECTION

- SERIAL CONNECTION MUST BE DONE BY CERTIFIED ELECTRICIAN