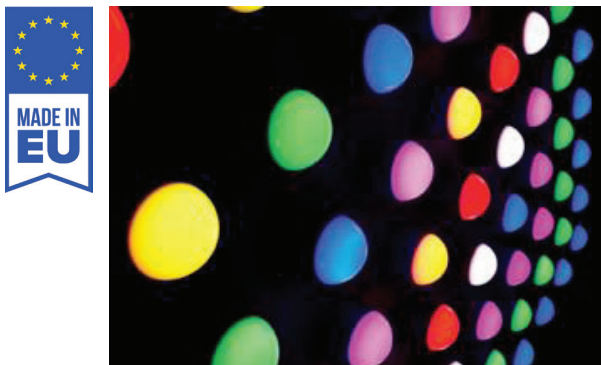


PRECIDOT RGB-W PIXEL controlled (ARTNET)



PRECIDOT is a multi-purpose, high intensity RGB-W LED node for generating a wide variety of effects without the limitations associated with a solid fixture unit. The flexibility of PRECIDOT allows the user to create patterns and **VIDEO + MUSIC** mood on almost any project, either interior or exterior. Its compact size and sleek design allows a greater range of installation applications, efficient driver technology and plug and play set up means dramatic results are easily achievable.

No multiple shadows without visible spots. Energy-efficient LEDs with very good binning. The DIFFUSE special material represents a combination of a balanced design and technology from a Czech / Italy manufacturer. The use of quality materials and precision manufacturing offers a professional lighting solution. High quality LED's with a life expectancy of 70,000 hrs give a choice of colours. The attractive and compact design provides a truly versatile lighting system also for OUTDOOR application.

With its high IP rating this product can be installed outside for architectural monuments or buildings and hotels.



ARTNET

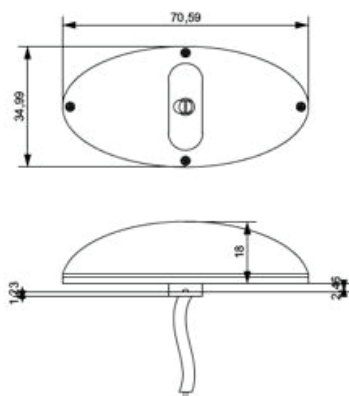
DMX



PRODUCT SPECIFICATIONS

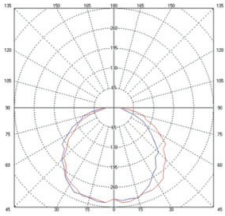
- INPUT VOLTAGE: 24V DC
- POWER CONSUMPTION: 1,8 W per NOD (adjustable in production line)
- LIFETIME: 70 000 hours
- LED DEVICE: NICHIA - Japan with WHITE balance
- PIXEL PITCH: according requirement
- LED VARIANTS: RGB-W
- DIMENSION: 35×71 mm or according requirement
- OPERATING TEMPERATURE: range -30°C to +40°C
- ENVIRONMENT: for OUTDOOR use, IP67, UV stable
- MATERIALS: Polycarbonate , PMMA, UV stable
- CONTROL SYSTEM : ART NET / DMX or other

DIMENSIONAL DRAWINGS



PRECIDOT RGB-W PIXEL controlled (ARTNET)

PHOTOMETRICS



ACCESSORIES

- Power Supply 24V, T-REX ARTNET control system



CONNECTION

- IN-Line serial connection, easy installation due to digital addressing.

