

InGROUND 31 RGBW (DMX/RDM)



INGROUND 31 RGBW exterior luminaire with RGBW high-power OSRAM LED TECHNOLOGY. Passive cooling of LED with optimised heat sink geometry. No multiple shadows, energy-efficient LEDs with very good colour rendering.

The INGROUND 31 RGBW represents a combination of a balanced design and technology from a Czech manufacturer. The use of quality materials and precision manufacturing offers a professional lighting solution. OSRAM

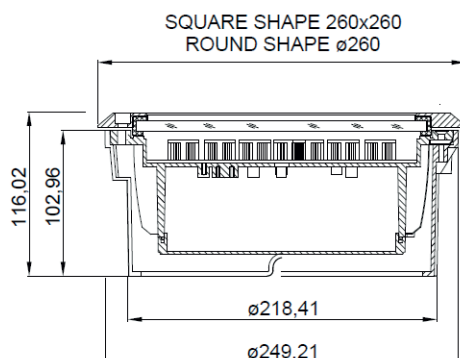
LED's with a life expectancy of 100,000 hrs give a choice of fantastic colours. The attractive and compact design provides a truly versatile lighting system. It is ideally suited to use in facade illumination.



PRODUCT SPECIFICATIONS

- INPUT VOLTAGE: 230V 50Hz
- EFFICIENCY: > 93 %
- POWER CONSUMPTION: max. 50 W
- LIFETIME: L70 / 100 000 hours
- THERMAL PROTECTION: yes
- LED DEVICE: OSRAM RGBW
- LED VARIANTS: RGBW , RGBA
- WEIGHT: 5 kg
- DIMENSION: according 2D drawing
- OPERATING TEMPERATURE: range -20°C to +40°C
- ENVIRONMENT: for outdoor IP67
- HOUSING COLOR: Aluminium colour , ANODIZED
- MATERIALS: die cast Aluminium, cover-tempered glass
- CONTROL: DMX/RDM electronic

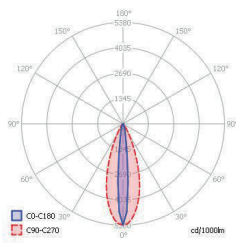
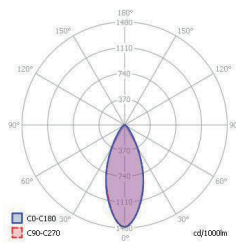
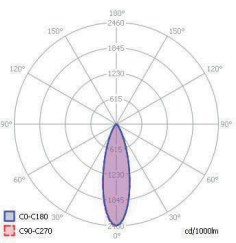
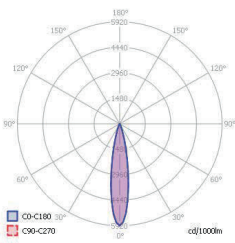
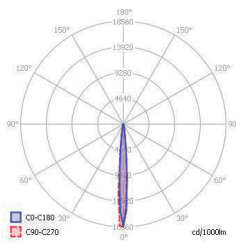
DIMENSIONAL DRAWINGS



InGROUND 31 RGBW (DMX/RDM)

PHOTOMETRICS

- Variants: SPOT, NARROW, MEDIUM, WIDE, FLOOD, OVAL, ASSYMETRIC



ACCESSORIES

- To be defined

CONNECTION

- 230V + DMX 512 - Special DMX conection by project requirement.