

INGROUND 24 RGB (DMX/RDM)



INGROUND 24 RGB exterior luminaire with RGB high-power OSRAM LED TECHNOLOGY. Passive cooling of LED with optimised heatsink geometry. No multiple shadows, energy-efficient LEDs with very good colour rendering.

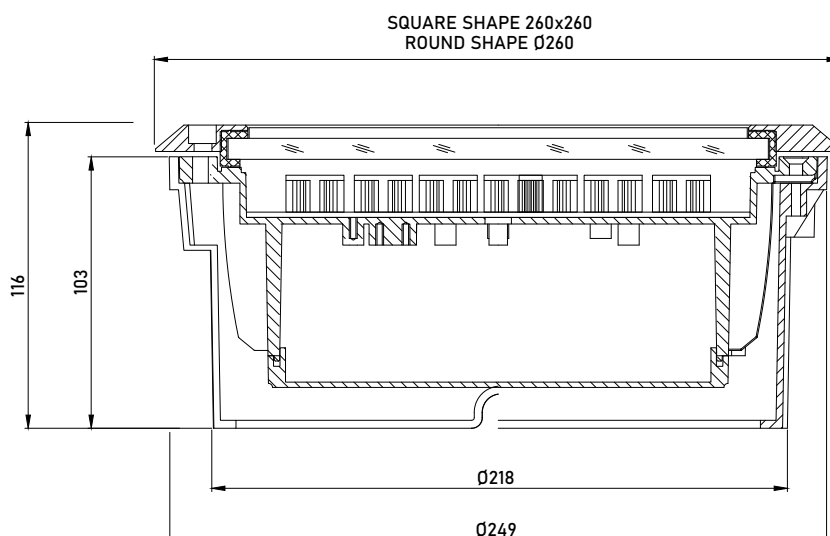
The INGROUND 24 RGB represents a combination of a balanced design and technology from a Czech manufacturer. The use of quality materials and precision manufacturing offers a professional lighting solution. OSRAM LED's with a life expectancy of 100,000 hrs give a choice of fantastic colours. The attractive and compact design provides a truly versatile lighting system. It is ideally suited to use in facade illumination.



PRODUCT SPECIFICATIONS

- INPUT VOLTAGE: 48V DC or 230V 50Hz AC
- EFFICIENCY: > 93 %
- POWER CONSUMPTION: 24W (current 350mA) / 36W (current 500mA)
- LIFETIME: L70 / 100 000 hours
- THERMAL PROTECTION: yes
- LED DEVICE: OSRAM LEDs RGB
- LED VARIANTS: RGB
- WEIGHT: 4,9 kg
- DIMENSION: According 2D drawing
- OPERATING TEMPERATURE: range -20°C to +40°C
- ENVIRONMENT: for outdoor IP67
- HOUSING COLOR: Aluminium colour , ANODIZED
- MATERIALS: Housing - die-cast Aluminium, Cover - tempered glass, Stainless steel ring
- CONTROL: DMX/RDM electronic

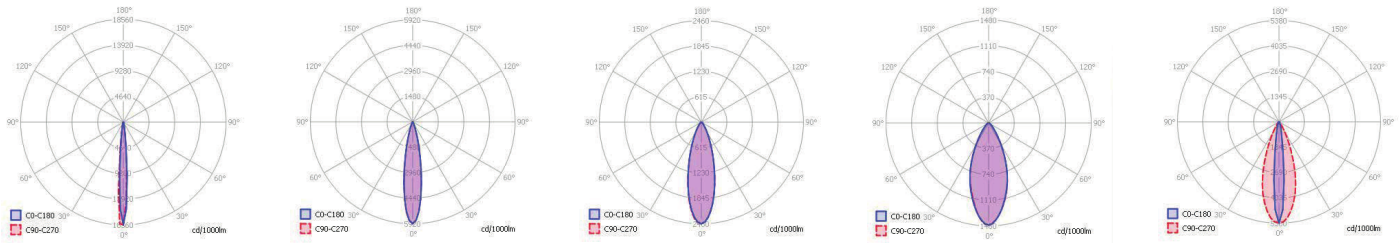
DIMENSIONAL DRAWINGS



INGROUND 24 RGB (DMX/RDM)

PHOTOMETRICS

- Variants: SPOT, NARROW, MEDIUM, WIDE, FLOOD, OVAL, ASSYMETRIC



ACCESSORIES

- See website - ACCESSORIES

CONNECTION

- See INSTRUCTION MANUAL