

LINEAR MICRO RGBW



The LINEAR MICRO RGBW represents a combination of a balanced design and technology from a CZECHIA manufacturer. The use of quality materials and precision manufacturing offers a professional lighting solution. It is ideally suited to use in facade AMBIENT illumination, and IP67 ensures safe operation in even the most demanding areas.

Available lengths 520, 1020, 1520mm as standard. Custom length up to 3000mm possible.

The combination of the TOP quality LED strips featured and the photometric distribution efficiency offers an unprecedented astonishing white light output quality, as well as a wider variety of intermediate colour hues for an even broader range of application purposes.

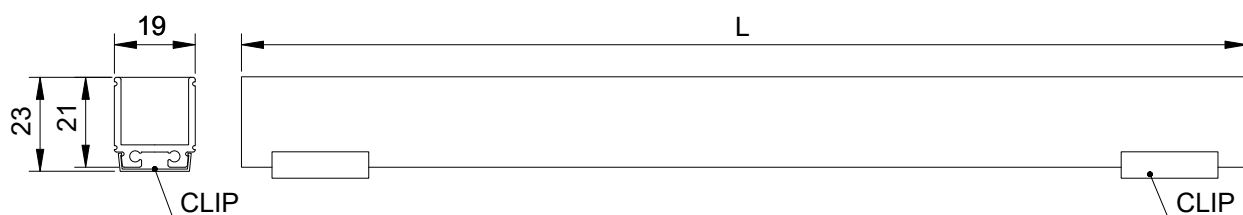
UV stable POLYURETHANE coating protection assure homogenous light output. The attractive and compact design provides a truly versatile lighting system. No multiple shadows, energy-efficient LEDs with very good colour rendering.



PRODUCT SPECIFICATIONS

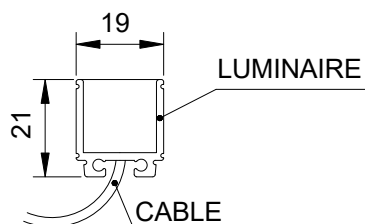
- INPUT VOLTAGE: 24V DC SELV
- POWER CONSUMPTION: 19,2 W/m
- LIFETIME: > 100 000 hours
- LED DEVICE: PREMIUM quality LED strip
- LED VARIANTS: RGBW (4000 K)
- WEIGHT: 0,7 kg (1020 mm)
- CABLE CONNECTION: Outdoor cable LAPP-UNITRONIC, IP67 connectors possible
- OPERATING TEMPERATURE: range -20°C to +50°C
- ENVIRONMENT: for outdoor IP67
- MATERIALS: ALUMINIUM lighting body, POLYURETHANE UV stable
- BRACKETS: STAINLESS STEEL clip/MAGNET fixation points + STAINLESS STEEL holder

DIMENSIONAL DRAWINGS

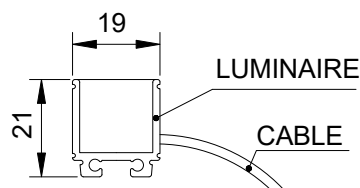


CABLE OUTPUT POSSIBILITIES

FROM THE BACK



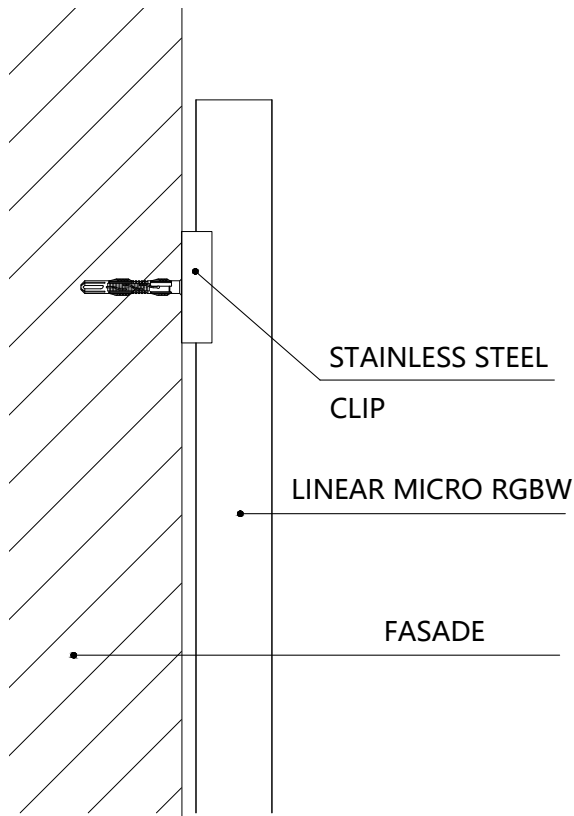
FROM THE SIDE



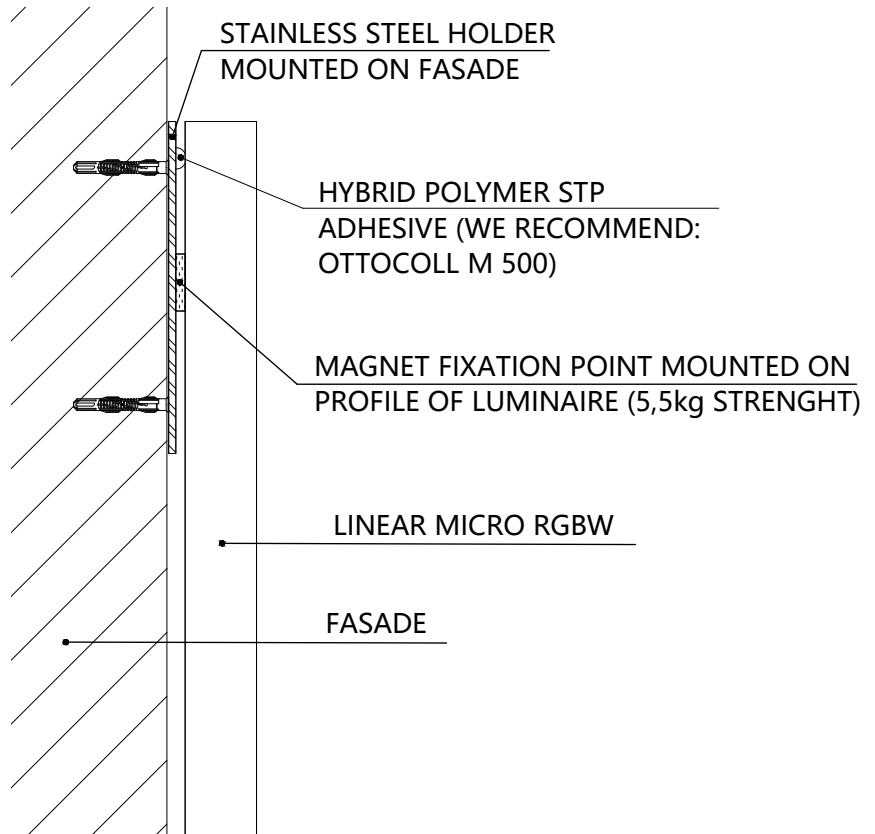
LINEAR MICRO RGBW

FIXATION

■ STAINLESS STEEL CLIPS

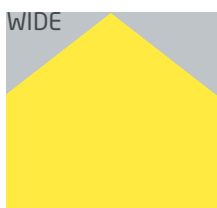


■ MAGNET FIXATION POINTS + STAINLESS STEEL HOLDER



PHOTOMETRICS

■ Variants: WIDE



ACCESSORIES

■ See website

CONNECTION

■ According project requiment