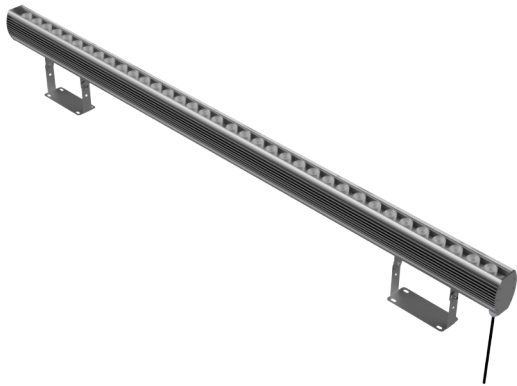


TRILOBIT 300, 600, 900, 1200, 1500



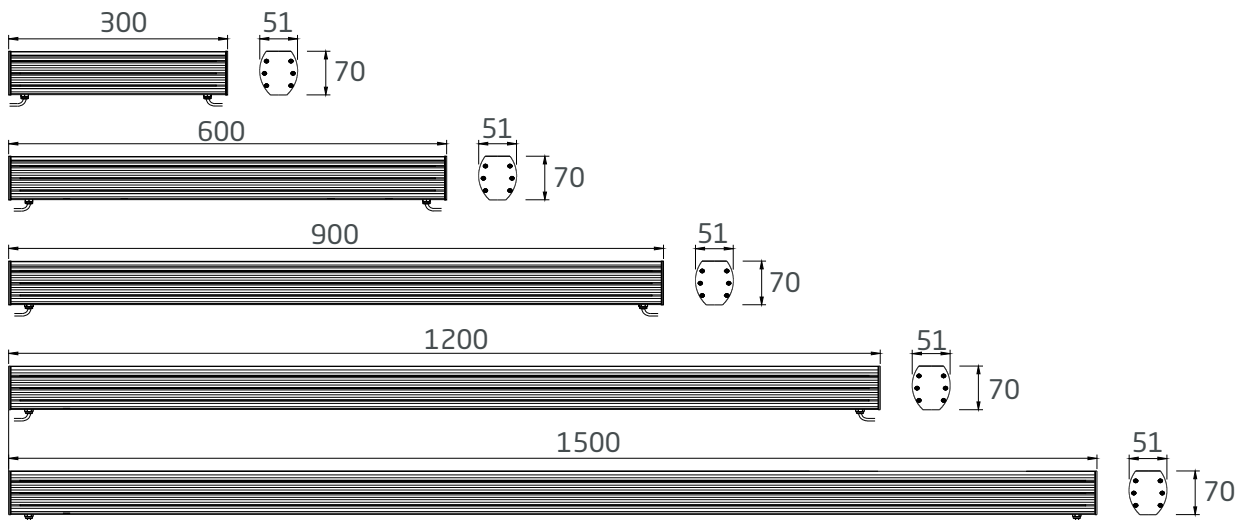
TRILOBIT WHITE - LED surface-mount light line for static or dynamic surface illumination, for indoor and mainly for outdoor use. The linear fixture Trilobit White utilises the latest OSRAM LED technology. The refined thermal management system incorporates a sleek and robust heat sink directly into the fixture to ensure maximum heat transfer and long LED life. This linear module bringing the flexibility to outdoor application. It is ideally suited to use in facade illumination, and IP66 ensures safe operation in even the most demanding areas. Available lengths 300, 600, 900, 1200, 1500 mm as standard.



PRODUCT SPECIFICATIONS

- INPUT VOLTAGE: 230V AC / 50Hz or 48V DC (LOW VOLTAGE)
- EFFICIENCY: > 92 %
- POWER CONSUMPTION:
 - L = 300 mm ... max. 13W (up to 1360 lm)
 - L = 600 mm ... max. 27W (up to 2640 lm)
 - L = 900 mm ... max. 40W (up to 3840 lm)
 - L = 1200 mm ... max. 54W (up to 4875 lm)
 - L = 1500 mm ... max. 67W (up to 6030 lm)
- LIFETIME: L70 / 70 000 hours
- THERMAL PROTECTION: yes
- LED DEVICE: OSRAM high power LEDs
- LED VARIANTS: 3000K, 4000K, 5700K and other according requirement
- WEIGHT: 0,8 kg (L=300 mm); 1,9 kg (L=600 mm); 3,0 kg (L=900 mm); 3,9 kg (L=1200 mm); 5,0 kg (L=1500 mm)
- OPERATING TEMPERATURE: range -20°C to +40°C
- ENVIRONMENT: for OUTDOOR use, IP66
- MATERIALS: Housing - die-cast Aluminium, Cover - tempered glass
- CONTROL: ON/OFF or DMX 512 dimming control

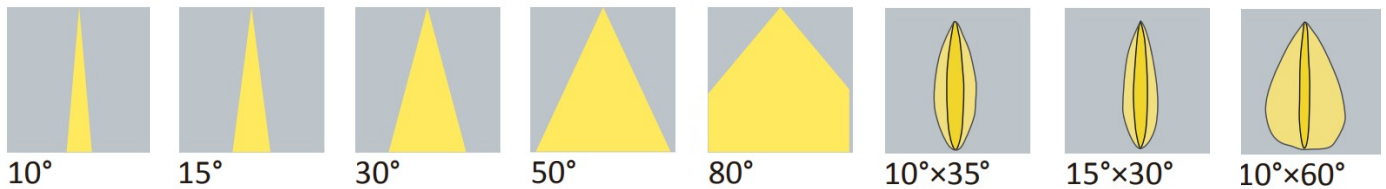
DIMENSIONAL DRAWINGS



TRILOBIT 300, 600, 900, 1200, 1500

PHOTOMETRICS

- Variants: SPOT, NARROW, MEDIUM, WIDE, FLOOD, OVAL, ASSYMETRIC



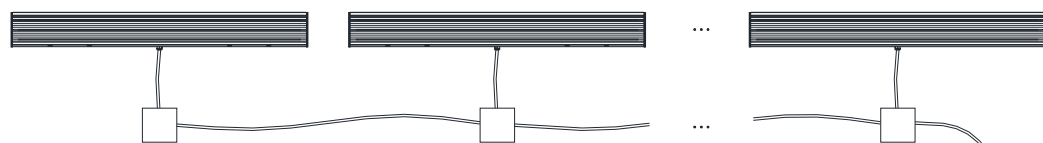
ACCESSORIES

- See website - ACCESSORIES

CONNECTION

- See INSTRUCTION MANUAL

- Cable output in the middle



Max. QTY – issue to be specified by electr. designer

Description:

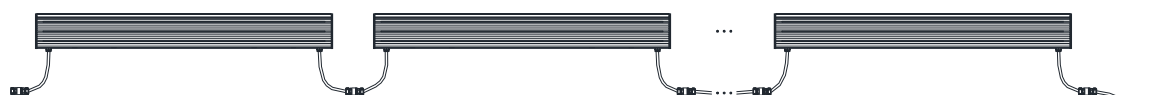
 - Luminaire

 - Junction box

Type of cable:

ON/OFF – 3 x 1,5 mm² (230V)
DALI – 5 x 1,5 mm² (230V + DALI)

- Cable output IN/OUT



End connector

Max. QTY – issue to be specified by electr. designer

Description:

 - Luminaire

 - Connector

Type of cable:

ON/OFF – 3 x 1,5 mm² (230V)
DALI – 5 x 1,5 mm² (230V + DALI)