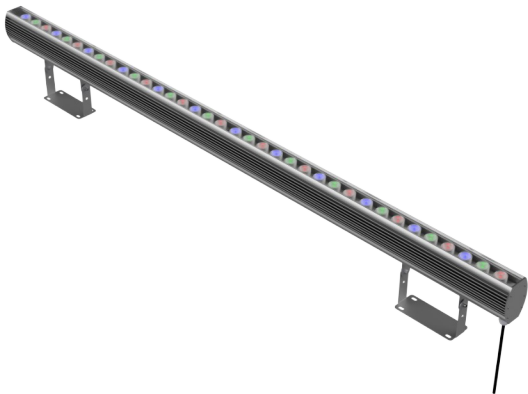


### TRILOBIT 300, 600, 900, 1200, 1500



TRILOBIT RGB/RGBW - LED surface-mount light line for static or dynamic surface illumination, for indoor and mainly for outdoor use. The linear fixture Trilobit RGB/RGBW utilises the latest OSRAM LED technology. The refined thermal management system incorporates a sleek and robust heat sink directly into the fixture to ensure maximum heat transfer and long LED life. This linear module bringing the flexibility to outdoor application. It is ideally suited to use in facade illumination, and IP66 ensures safe operation in even the most demanding areas. Available lengths 300, 600, 900, 1200, 1500 mm as standard.

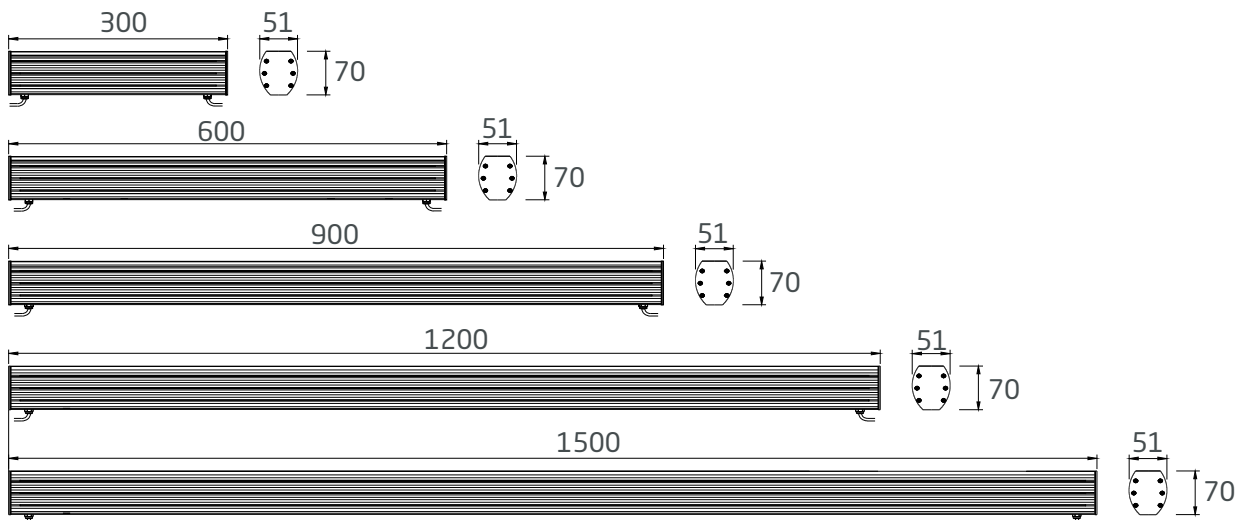


#### PRODUCT SPECIFICATIONS

- INPUT VOLTAGE: 230V AC / 50Hz or 48V DC (LOW VOLTAGE)
- EFFICIENCY: > 92 %
- POWER CONSUMPTION:
 

<ul style="list-style-type: none"> <li>■ L = 300 mm ... max. 13W/18W (max. 4,5W/channel)</li> <li>■ L = 900 mm ... max. 40W/54W (max. 13,5W/channel)</li> <li>■ L = 1500 mm ... max. xx /72W (max. 18W/channel) - only RGBW</li> </ul>	<ul style="list-style-type: none"> <li>■ L = 600 mm ... max. 27W/36W (max. 9W/channel)</li> <li>■ L = 1200 mm ... max. 54W/72W (max. 18W/channel)</li> </ul>
--	--
- LIFETIME: L70 / 70 000 hours
- THERMAL PROTECTION: yes
- LED DEVICE: OSRAM high power LEDs
- LED VARIANTS: RGB, RGBW, RGBA and other according requirement
- WEIGHT: 0,8 kg (L=300 mm); 1,9 kg (L=600 mm); 3,0 kg (L=900 mm); 3,9 kg (L=1200 mm); 5,0 kg (L=1500 mm)
- OPERATING TEMPERATURE: range -20°C to +40°C
- ENVIRONMENT: for OUTDOOR use, IP66
- MATERIALS: Housing - die-cast Aluminium, Cover - tempered glass
- CONTROL: DMX 512 dimming control, RDM protocol for addressing

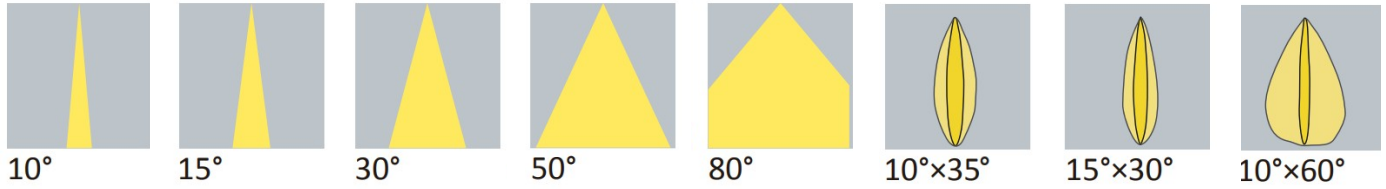
#### DIMENSIONAL DRAWINGS



TRILOBIT 300, 600, 900, 1200, 1500

PHOTOMETRICS

- Variants: SPOT, NARROW, MEDIUM, WIDE, FLOOD, OVAL, ASSYMETRIC



ACCESSORIES

- See website - ACCESSORIES

CONNECTION

- See INSTRUCTION MANUAL

