

SOPHIA 18 RGB (DMX/RDM)



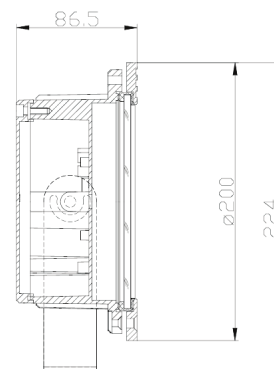
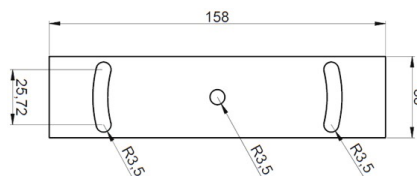
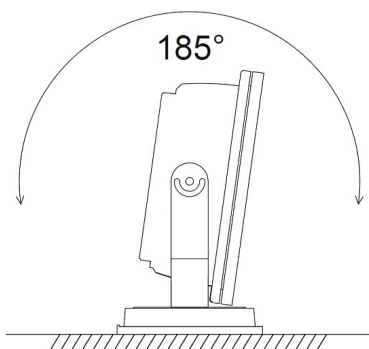
The stylishly modern and unassuming exterior of SOPHIA 18 RGB houses state-of-the-art LED technology and made using the highest quality materials and construction methods. Bringing the flexibility to outdoor application, this powerful lighting fixture is ideally suited to use in landscape and building illumination and IP66 ensures safe operation in even the most demanding areas.



PRODUCT SPECIFICATIONS

- INPUT VOLTAGE: 48V DC
- EFFICIENCY: > 93 %
- POWER CONSUMPTION: 27W (current 500mA)
- LIFETIME: L70 / 100 000 hours
- THERMAL PROTECTION: yes
- LED DEVICE: OSRAM LEDs RGB (R+G+B/6+6+6)
- LED VARIANTS: RGB
- WEIGHT: 2,8 kg
- DIMENSION: According 2D drawing
- OPERATING TEMPERATURE: range -20°C to +40°C
- ENVIRONMENT: for outdoor IP66
- HOUSING COLOR: RAL COLOURS
- MATERIALS: Housing - die-cast Aluminium, Cover - tempered glass
- CONTROL: DMX/RDM electronic

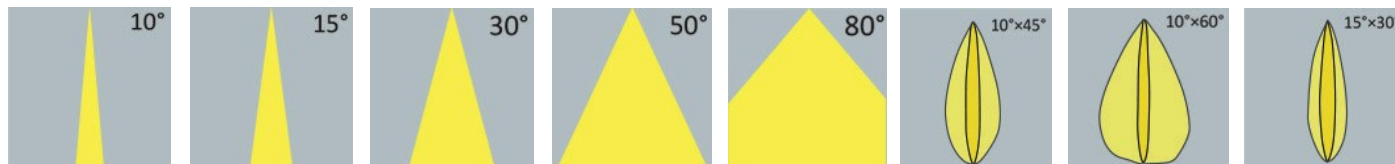
DIMENSIONAL DRAWINGS



SOPHIA 18 RGB (DMX/RDM)

PHOTOMETRICS

■ Variants:



ACCESSORIES

■ See website - ACCESSORIES

CONNECTION

■ See INSTRUCTION MANUAL