

PRECILASER LINE



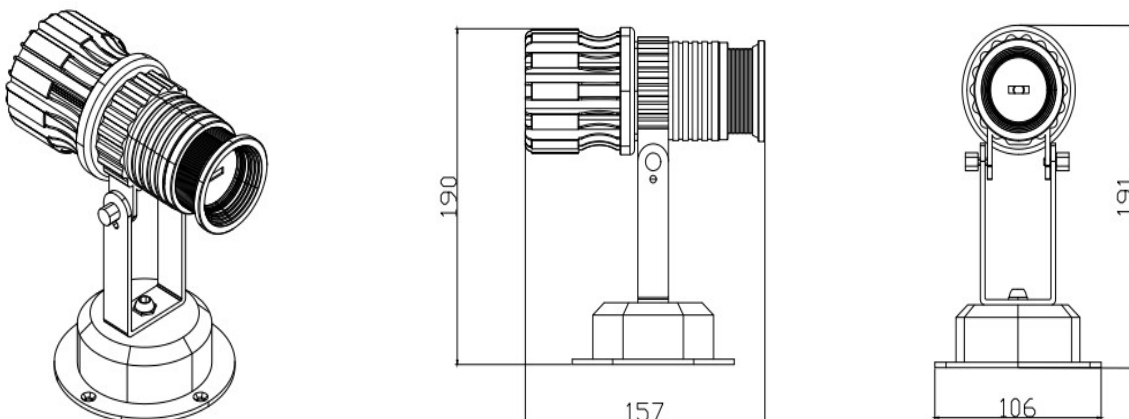
PRECILASER LINE is a powerful exterior laser projector for precise line marking and lighting, equipped with premium MITSUBISHI/NICHIA technology. It projects a sharp, highly visible line with a 10-40mm width. The robust anodized aluminum-magnesium alloy body ensures excellent heat dissipation and long lifetime. Featuring IP61 protection and a wide temperature range (-20°C to +50°C), it is ideal for outdoor architecture, industrial facilities, and safety marking. The fully adjustable mount allows 360° rotation and 90° tilt.



PRODUCT SPECIFICATIONS

- INPUT VOLTAGE: 230V AC/50Hz
- POWER CONSUMPTION: 10W (LASER POWER 2W)
- LIFETIME: > 20 000 hours
- PROJECTION ANGLE: LEFT/RIGHT 360°, UP/DOWN 0°90°
- LASER BRAND: MITSUBISHI/NICHIA
- COLOR: RED, GREEN, BLUE (SINGLE COLOR OPTION AVAILABLE)
- WEIGHT: 0,75 kg
- OPERATING TEMPERATURE: range -20°C to +50°C
- ENVIRONMENT: for OUTDOOR use, IP61
- MATERIALS: Aluminum-magnesium alloy - Anodizing and sandblasting
- SPOT WIDTH: 10-40mm

DIMENSIONAL DRAWINGS



PRECILASER LINE

PROJECTOR SPOT RATIO

- 8°-55°

ACCESSORIES

- See website

CONNECTION

- See instruction manual