

InGROUND QUATTRO 7 RGBW LED recessed - luminaire



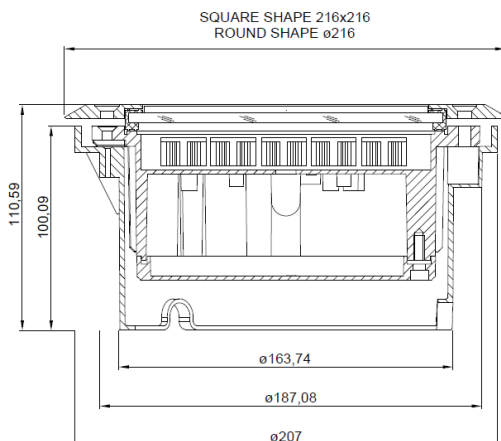
INGROUND QUATTRO 7 RGBW offers a high lumen output from the latest LED Multichip technology. With its IP67 rating this product is ideal for outdoor lighting applications. INGROUND QUATTRO 7 RGBW incorporates 7 high output multichip LEDs in a compact aluminium housing, offering a solution to a wide variety of lighting scenarios.



PRODUCT SPECIFICATIONS

- INPUT VOLTAGE: 48V DC (LOW VOLTAGE)
- EFFICIENCY: > 87 %
- POWER CONSUMPTION: 7 RGBW LEDs ... 42W (max possible current 380 mA / channel)
- LIFETIME: > 70 000 hours
- THERMAL PROTECTION: yes
- LED DEVICE: OSRAM high power LEDs
- LED VARIANTS: RGBW
- WEIGHT: 2,8 kg
- OPERATING TEMPERATURE: range -20°C to +40°C
- ENVIRONMENT: for OUTDOOR use, IP67
- MATERIALS: housing-die-cast Aluminium, cover-tempered glass and Stainless Steel ring
- CONTROL: DMX 512 dimming control, RDM protocol for addressing

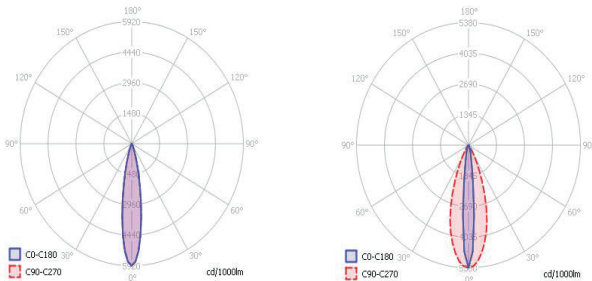
DIMENSIONAL DRAWINGS



InGROUND QUATTRO 7 RGBW LED recessed - luminaire

PHOTOMETRICS

- Variants: NARROW, OVAL



ACCESSORIES

- Constant Voltage power supply 230/48V ect.

CONNECTION

- Option 48V DC

