

SOPHIA 15 WHITE
SOPHIA 24 WHITE
SOPHIA 30 WHITE
SOPHIA 54 WHITE

ON/OFF or DALI



INSTRUCTIONS MANUAL

PRECILUM[®]
SPECIAL LED LIGHTING SOLUTIONS

TABLE OF CONTENTS

1. INTRODUCTION	2
2. SAFETY AND OPERATION	5
3. INSTALLATION	6
4. CONNECTION DIAGRAMS	12
5. CARE AND MAINTENANCE	13
6. TECHNICAL SPECIFICATION	14
7. WARRANTY STATEMENT	15

LED



**Electrostatic Sensitive Device
(ESD)**

**FOR YOUR OWN SAFETY PLEASE READ THIS INSTRUCTION
MANUAL CAREFULLY BEFORE BEGINNING SETUP AND
INSTALLATION.**

1. INTRODUCTION

1.1 About the product

SOPHIA WHITE - exterior luminaire with high-power OSRAM LED TECHNOLOGY. Passive cooling of LED with optimised heat sink geometry. No multiple shadows, energy-efficient LEDs with very good colour rendering. The SOPHIA WHITE represents a combination of a balanced design and technology from a Czech manufacturer. The use of quality materials and precision manufacturing offers a professional lighting solution. OSRAM LED's with a life expectancy of 100,000 hrs give a choice of fantastic illumination. The attractive and compact design provides a truly versatile lighting system. It is ideally suited to use in facade illumination and architectural monuments illumination.

It made using highest quality materials and construction methods, bringing the flexibility to outdoor application. This powerful lighting fixture is ideally suited to use in landscape and building illumination and IP66 ensures safe operation in even the most demanding areas.

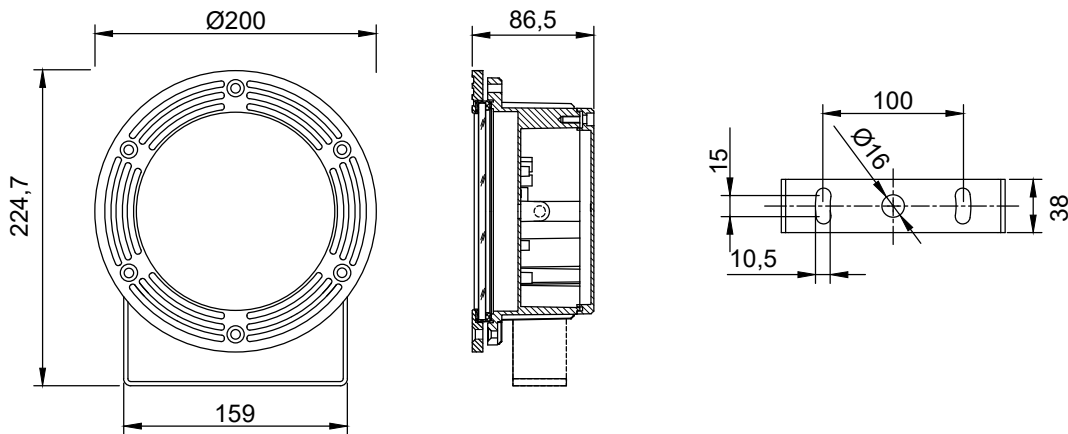
The product in basic form is not suitable for environments with elevated salt content (seaside environments, winter salting, etc.).

Products from the "Marine" range are designed for this environment. **It is also possible to coat this base product with a protective coating.**

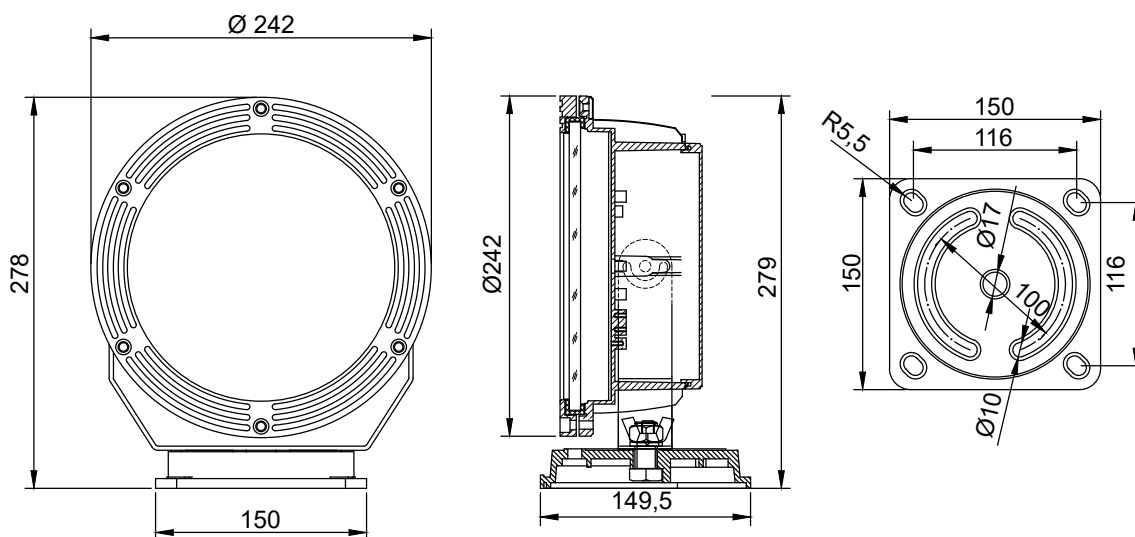
1. INTRODUCTION

1.2 Dimensions of fixture

Sophia 15



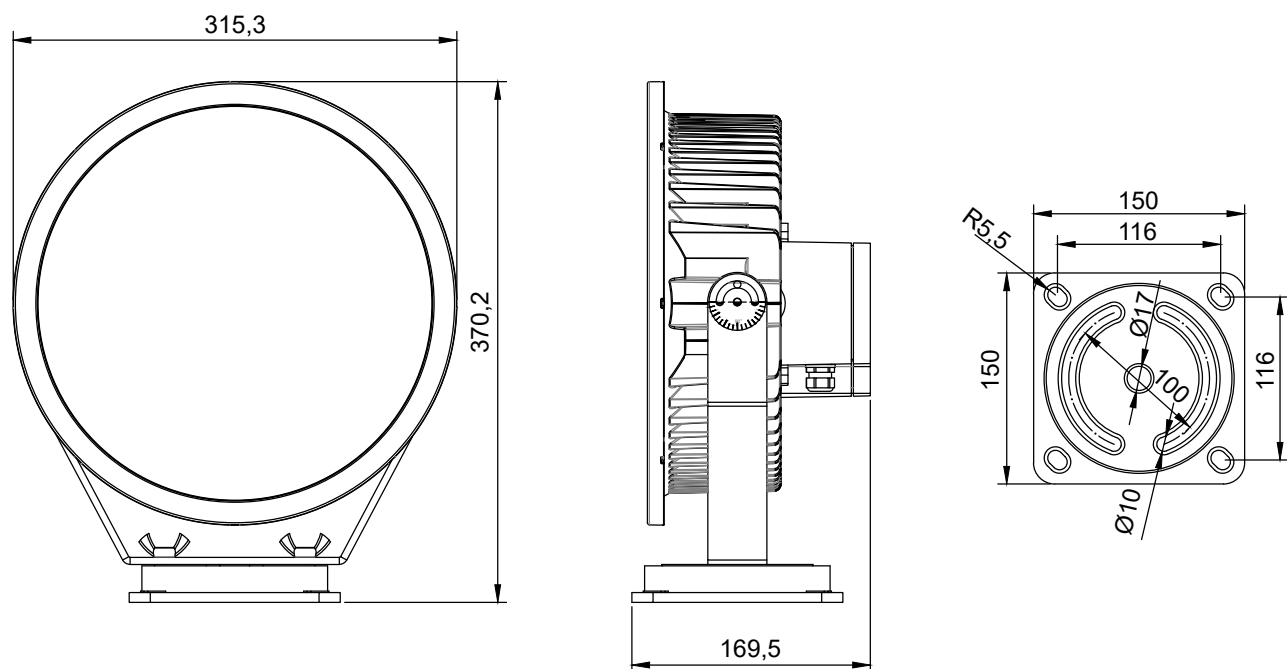
Sophia 24/Sophia 30



1. INTRODUCTION

1.2 Dimensions of fixture

Sophia 54



2. SAFETY AND OPERATION

CAUTION - DANGEROUS VOLTAGE CONSTITUTING A RISK OF ELECTRIC SHOCK IS PRESENT WITHIN THIS UNIT!

CAUTION - THE POWER SUPPLY MUST BE UNPLUG FROM THE MAINS POWER BEFORE CONNECTING ANY CABLES TO AVOID DAMAGING THE PRODUCT!

CAUTION – FOR YOUR OWN SAFETY AVOID LOOKING DIRECTLY INTO THE LED LIGHT SOURCE!

ANY PERSONS WHO INSTALLING THIS PRODUCT MUST BE QUALIFIED FOR THE HANDLING OF ELECTRICAL EQUIPMENT AND INSTALLATION MUST BE PERFORMED WITH LOCAL STANDARTS AND REGULATIONS!

- Consider the respective national norms during the installation!
- Do not install the fixture near high inflammable liquids or materials.
- Do not looking directly into the LED light beam at close range.
- Turn off the power prior to light fixture installation!
- The light fixture may be installed only by a qualified person!
- The light fixture must be wired according to respective electrical standards.
- The manufacturer shall not be liable for any modifications of the product of incorrect installation of the product.
- Never install the luminaire on rain, fog or high humidity.

3. INSTALLATION

3.1 Installation of fixture

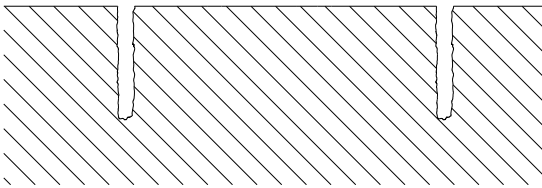


Fig. 1

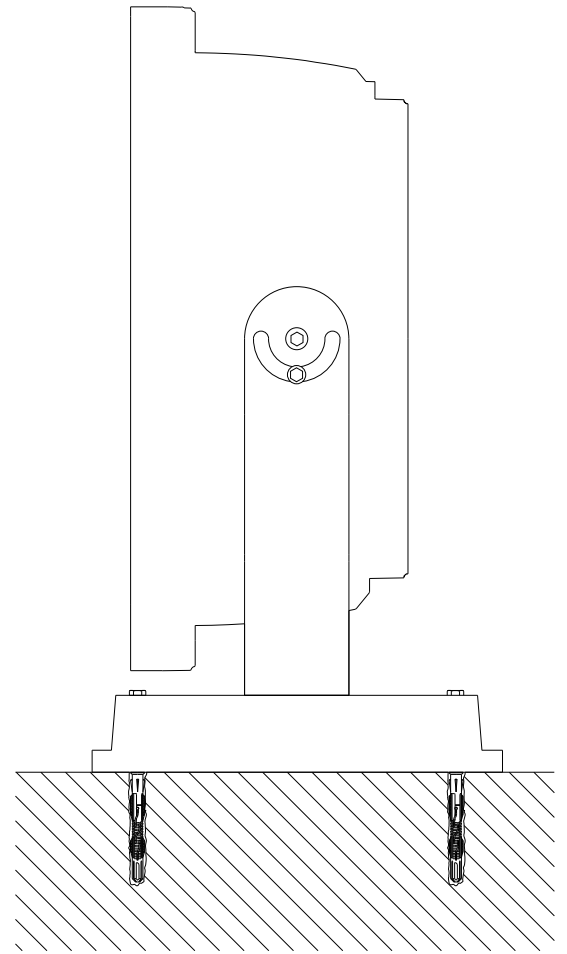


Fig. 2

- Drill the holes into the surface according to the holes in the bracket. (Fig.1)
- Mount the bracket according Fig.2. Use dowels and screws. (Fig. 2)
- Make sure it is mounted firmly and precisely.

3. INSTALLATION

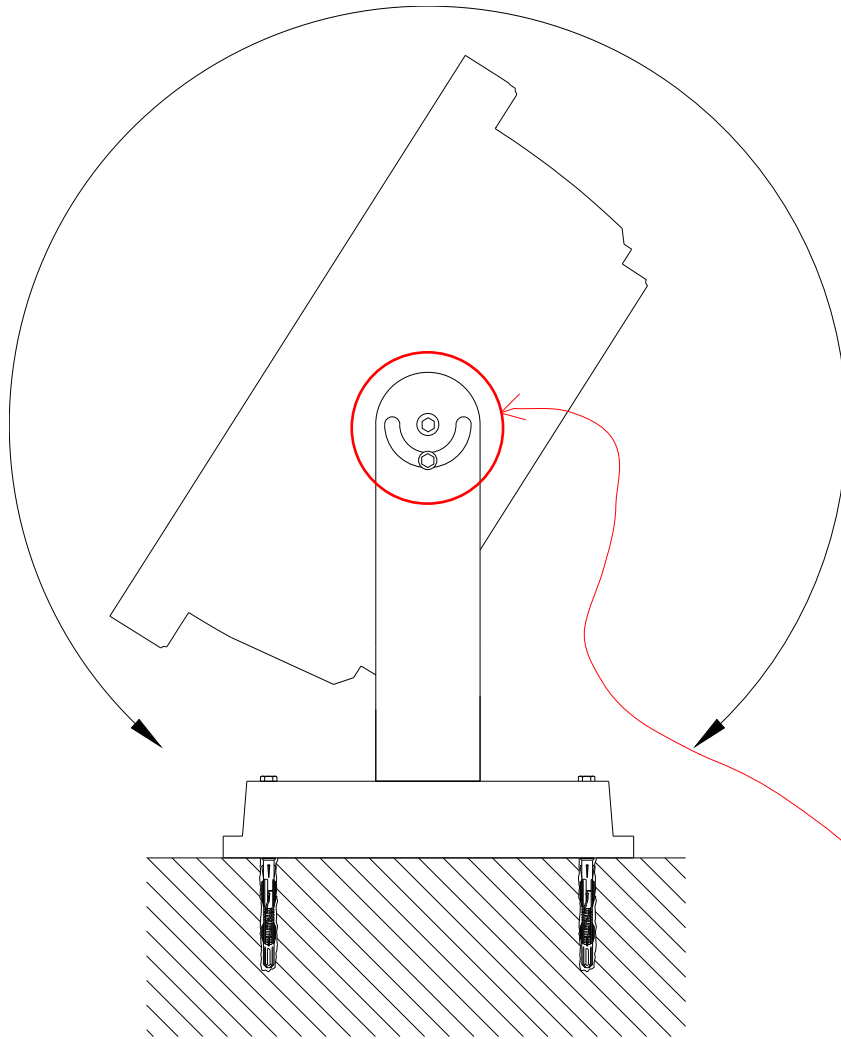


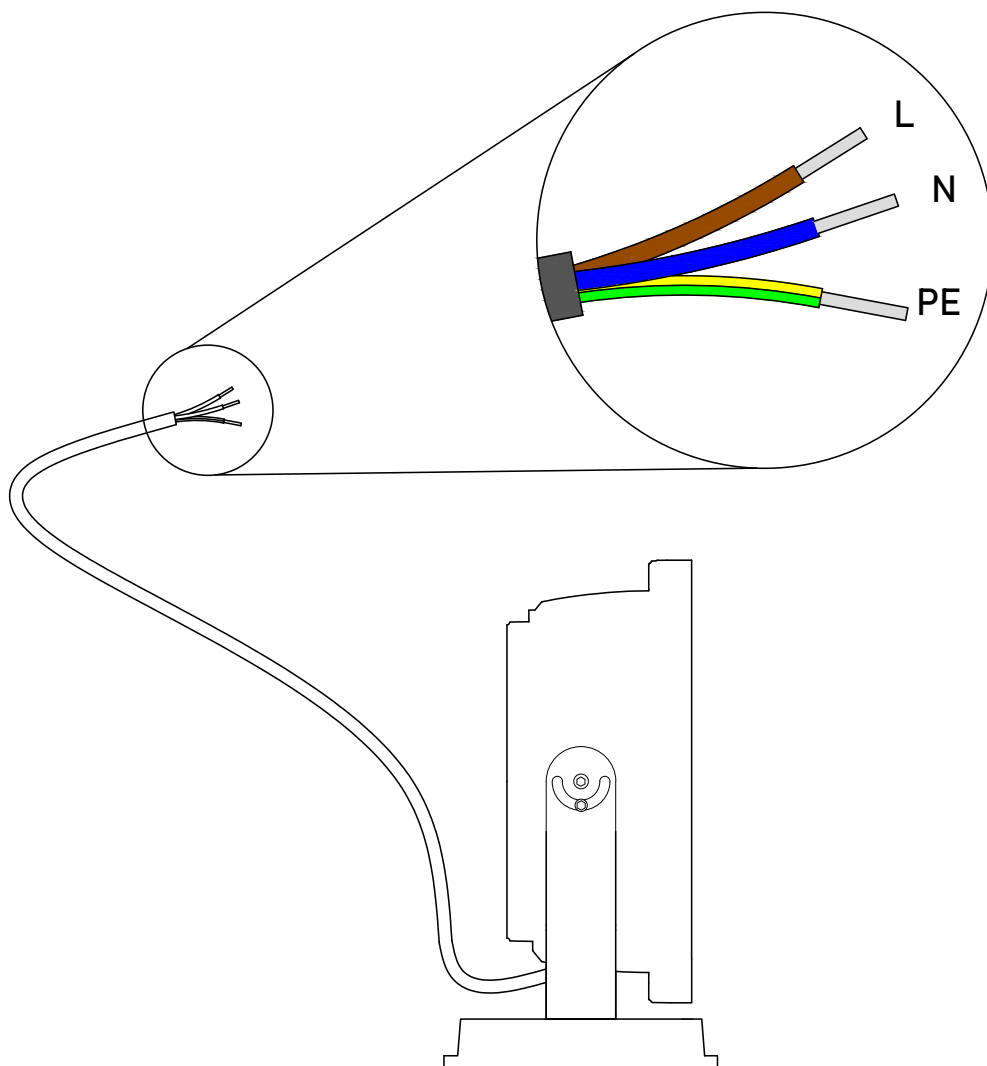
Fig. 3

- Adjust required angle of the luminaire. (Fig. 3)
- Stabilize the angle by tightening the screws. (Fig. 3)

3. INSTALLATION

3.2 Connection

3.2.1 Wiring - ON/OFF option



Wire L (Live) – brown (black)

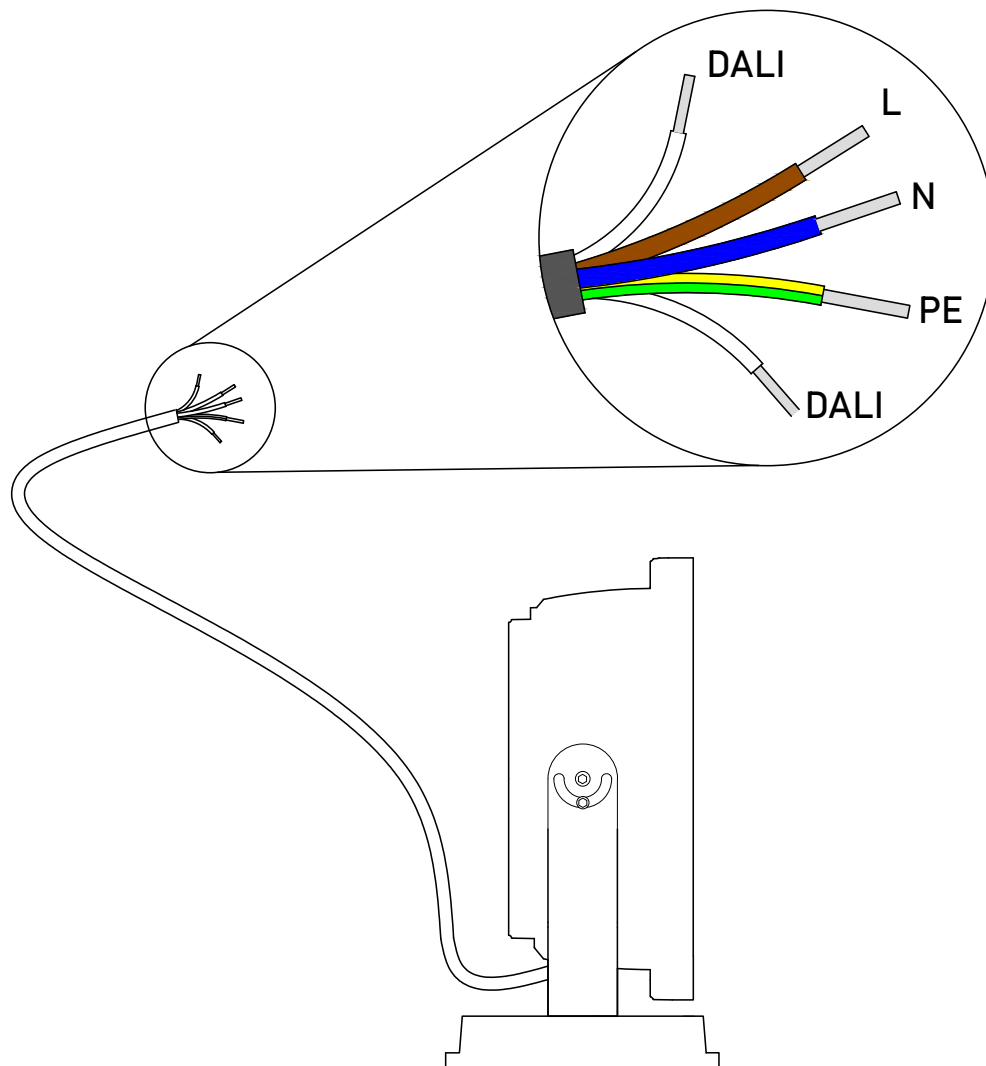
Wire N (Neutral) – blue

Wire PE (Earth) – yellow/green

3. INSTALLATION

3.2 Connection

3.2.2 Wiring - DALI option



Wire L (Live) – brown (black)

Wire N (Neutral) – blue

Wire PE (Earth) – yellow/green

Wire DA1 (Dali) – white

Wire DA2 (Dali) – white

3. INSTALLATION

3.3 IP connection

PRECILUM requirement:

Use a SCAME IP box or similar (not included).



Must be made a waterproof connection of at least IP68. We strongly recommend to use special two components silicone GEL for sealing junction boxes containing electrical connections. **If the IP rating of the connection is not observed, the complaint will not be accepted!**

For example:

<https://www.etelec.com/prodotto/mpgel/>

Video tutorial:

<https://www.youtube.com/watch?v=tj6ksKdzuE0>



3. INSTALLATION

3.3 IP connection

PRECILUM recommendation:

Use a TECHNO® IP circular junction connector (TeeTube®) or TECHNO® IP junction box (TeeBox®). Not included!



TeeTube®

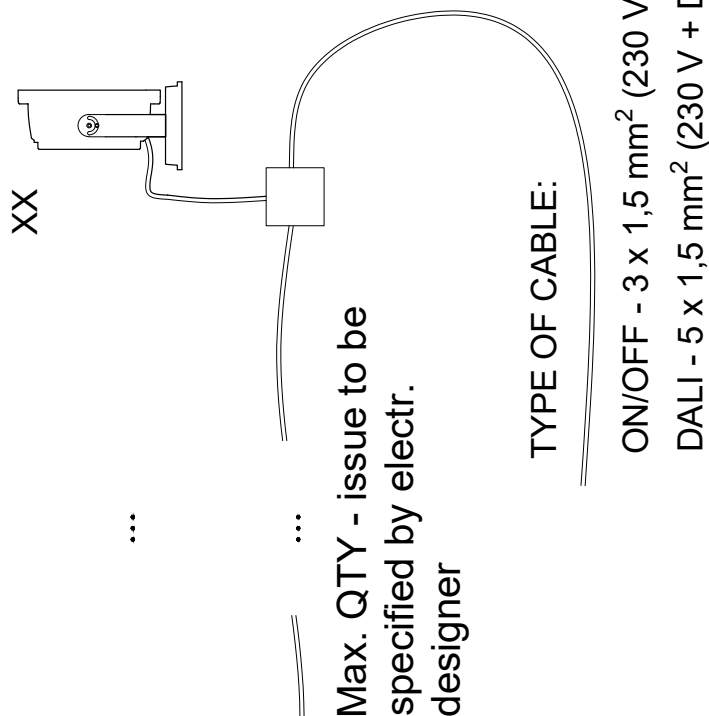


TeeBox®

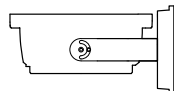

- 3 poles (ON/OFF) TeeTube® (THR.390.S3T):
- 5 poles (DALI) TeeTube® (THB.402.C1F.R):
- 3 poles (ON/OFF) TeeBox® (THR.200.S3M):
- 5 poles (DALI) TeeBox® (THB.200.E5E):

4. CONNECTION DIAGRAMS

4.1 ON/OFF or DALI option



DESCRIPTION:

-  LUMINAIRE
-  JUNCTION BOX

5. CARE AND MAINTENANCE

PRECILUM™ PRODUCTS ARE OF SUPERIOR DESIGN AND QUALITY AND SHOULD BE TREATED WITH CARE. THE RECOMMENDATIONS BELOW WILL HELP FULFILL GAIN GOOD USE AND LONGEVITY FROM THE PRODUCTS.

Clean the front transparent cover at least every 6 months. Use a moist, lint-free cloth. Never use alcohol or solvents.

A scheduled maintenance programme must be carried out on the installation and the fittings regardless of their IP rating or application – these must include the following operations:

- Clean the fittings from dirt that may be deposited in the heads of the screws by following the installation instructions attached to each fitting.
- Check that the screws are not loose on the various components of the luminaire (glass frame, cable entry , ...).
- Check each cable gland, and cable for damage and that the cable gland has not come loose.
- For each Isolation Class 1 fitting check that the earth cable has not come loose. The clip must not show signs of oxidation,damage or become loose.
- For class 2 fittings check any eventual plastic / isolating covering in order to verify any damage.
- Check that all the seals are in good condition and that they are not damaged or split.

The internal components such as the ballasts, transformers, washers and screws must not show clear signs of oxidation or rust.

Clear traces of rust and oxidation will indicate the presence of water inside the luminaire.

In case of damage the components must be replaced by original components and spare parts before using the fitting.

We also recommend to check the fitting at least once a year or within the prescribed maintenance schedule period depending on the type of installation.

6. TECHNICAL SPECIFICATION

Mounting:	See 3.1 Installation of fixture
Optical system:	Spot, Narrow, Medium, Wide, Flood, Oval, Assym.
LED device:	High power OSRAM LEDs
LED colour:	2700K, 3000K, 4000K, 5700K
Lumen output:	See datasheet
Input voltage:	230V 50Hz AC
Driver type:	Electronic control gear TRIDONIC
Max. power consumption:	SOPHIA 15 23W SOPHIA 24 45W SOPHIA 30 60W SOPHIA 54 95W
Service lifetime:	100 000 hrs./L70 @25°C
Operation ambient temp:	-30°C/+45°C
Materials:	Housing: extruded aluminium Cover: clear tempered glass
Dimensions:	See dimensional drawing
Environment:	IP66
Weight:	SOPHIA 15: 2,8 kg SOPHIA 24: 4,5 kg SOPHIA 30: 4,5 kg SOPHIA 54: 7,5 kg
Accessories:	See website

7. WARRANTY STATEMENT

Precillum provides a product warranty for a period of five (5) years from date of purchase.

Please refer www.precillum.com for all warranty terms and conditions.



Please check for latest updates and changes on the Precilum website.

©2021 PRECILUM s.r.o ALL RIGHT RESERVED. All specifications subject to change without notice.

WWW.PRECILUM.COM