

# LINEAR MICRO

RGBW

Length = 520/1020/1520



**INSTRUCTIONS MANUAL**

**PRECILUM**<sup>®</sup>  
SPECIAL LED LIGHTING SOLUTIONS

# TABLE OF CONTENTS

1. INTRODUCTION	2
2. SAFETY AND OPERATION	4
3. INSTALLATION	5
4. CONNECTION DIAGRAMS	10
5. CARE AND MAINTENANCE	12
6. TECHNICAL SPECIFICATION	13
7. WARRANTY STATEMENT	14

LED



Electrostatic Sensitive Device  
(ESD)

FOR YOUR OWN SAFETY PLEASE READ THIS INSTRUCTION  
MANUAL CAREFULLY BEFORE BEGINNING SETUP AND  
INSTALLATION.

# 1. INTRODUCTION

---

## 1.1 About the product

The LINEAR MICRO RGBW represents a combination of a balanced design and technology from a CZECHIA manufacturer. The use of quality materials and precision manufacturing offers a professional lighting solution.

It is ideally suited to use in facade AMBIENT illumination, and IP67 ensures safe operation in even the most demanding areas. Available lengths 520mm, 1020mm, 1520mm as standard. Custom length up to 3000mm possible.

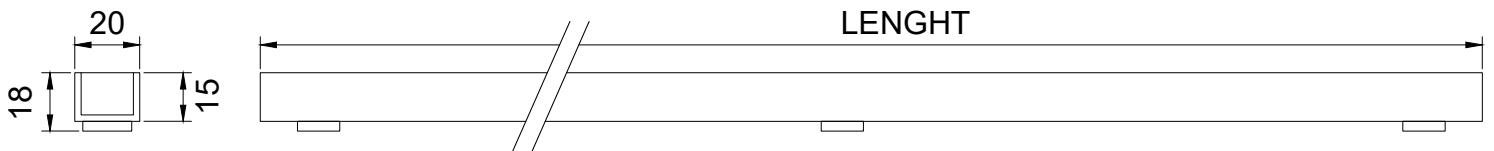
The combination of the TOP quality LED strips featured and the photometric distribution efficiency offers an unprecedented astonishing white light output quality, as well as a wider variety of intermediate colour hues for an even broader range of application purposes.

UV stable POLYURETHANE coating protection assure homogenous light output. The attractive and compact design provides a truly versatile lighting system. No multiple shadows, energy-efficient LEDs with very good colour rendering.

# 1. INTRODUCTION

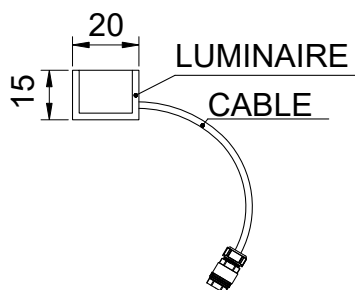
## 1.2 Dimensions of luminaire

Length = 520 mm / 1020 mm / 1520 mm  
(custom L = up to 3020 - according requirement)



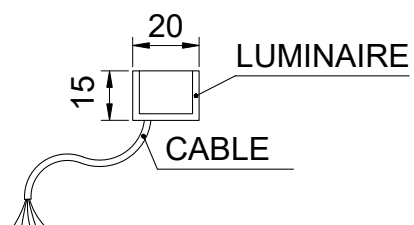
## 1.3 Cable output possibilities

FROM THE SIDE



5 PIN IP 67 CONNECTOR  
(OPTION A)

FROM THE BACK



OPEN CABLE END  
(OPTION B)

## 2. SAFETY AND OPERATION

**CAUTION - DANGEROUS VOLTAGE CONSTITUTING A RISK OF ELECTRIC SHOCK IS PRESENT WITHIN THIS UNIT!**

**CAUTION - THE POWER SUPPLY MUST BE UNPLUG FROM THE MAINS POWER BEFORE CONNECTING ANY CABLES TO AVOID DAMAGING THE PRODUCT!**

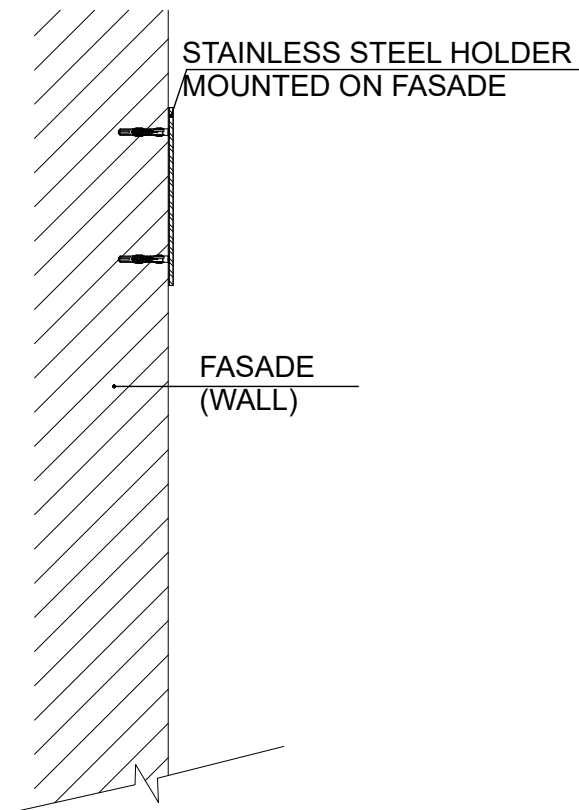
**CAUTION – FOR YOUR OWN SAFETY AVOID LOOKING DIRECTLY INTO THE LED LIGHT SOURCE!**

**ANY PERSONS WHO INSTALLING THIS PRODUCT MUST BE QUALIFIED FOR THE HANDLING OF ELECTRICAL EQUIPMENT AND INSTALLATION MUST BE PERFORMED WITH LOCAL STANDARTS AND REGULATIONS!**

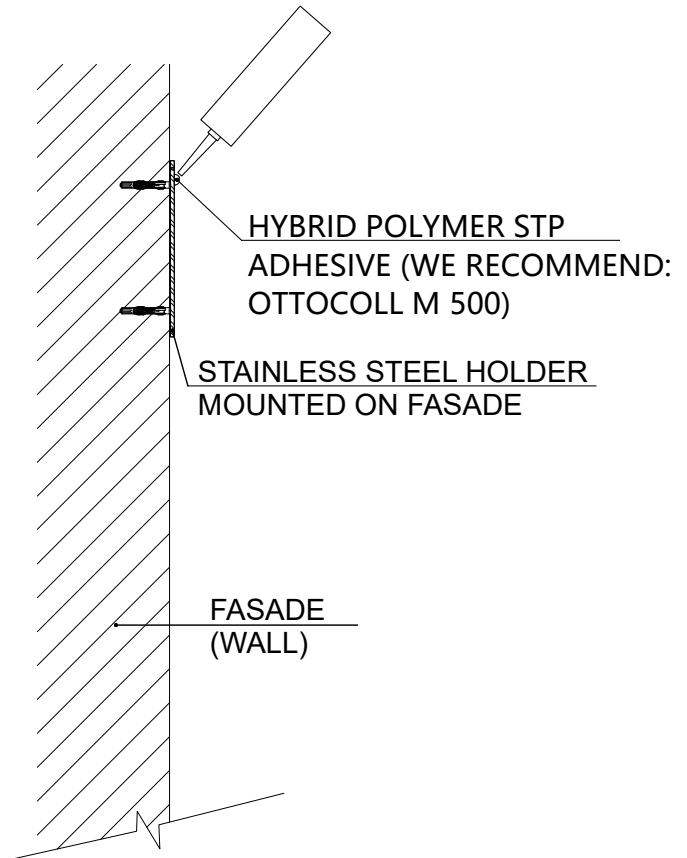
- Consider the respective national norms during the installation!
- Do not install the fixture near high inflammable liquids or materials.
- Do not looking directly into the LED light beam at close range.
- Turn off the power prior to light fixture installation!
- The light fixture may be installed only by a qualified person!
- The light fixture must be wired according to respective electrical standards.
- The manufacturer shall not be liable for any modifications of the product of incorrect installation of the product.
- Never install the luminaire on rain, fog or high humidity.

## 3. INSTALLATION

### 3.1 Installation of luminaire



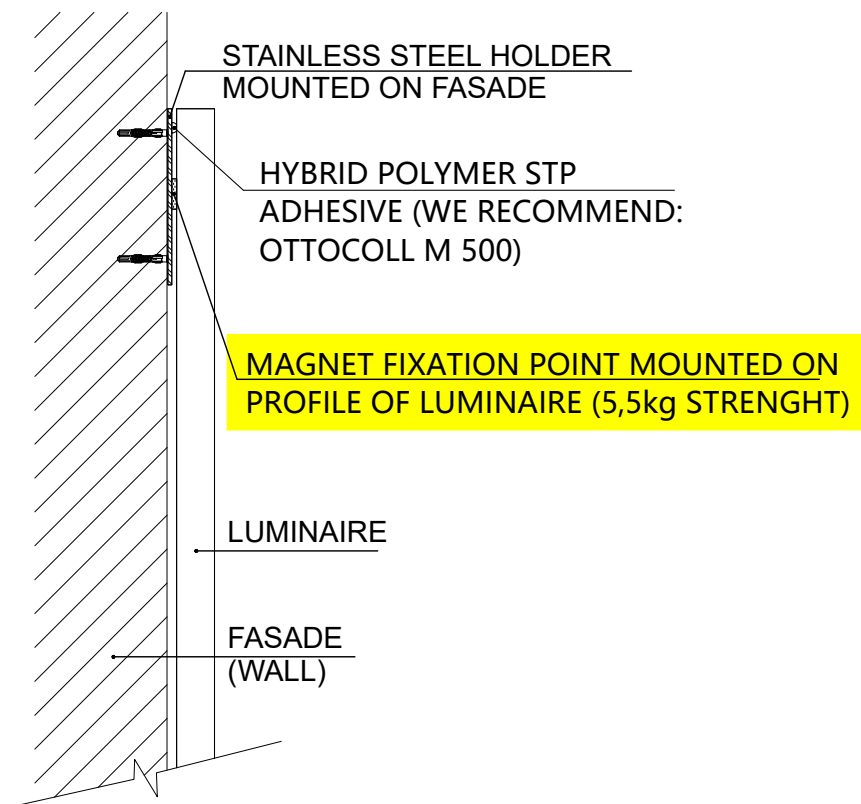
**Fig. 1**



**Fig. 2**

- Drill the holes in the wall according to the holes in the stainless steel holder.
- Mount the stainless steel holder with dowels and screws. (Fig. 1)
- Hybrid polymer adhesive apply spot to each stainless steel holder (We recommend OTTOCOLL M 500). (Fig. 2)
- Always make sure that the stainless steel holder is firmly mounted.

## 3. INSTALLATION



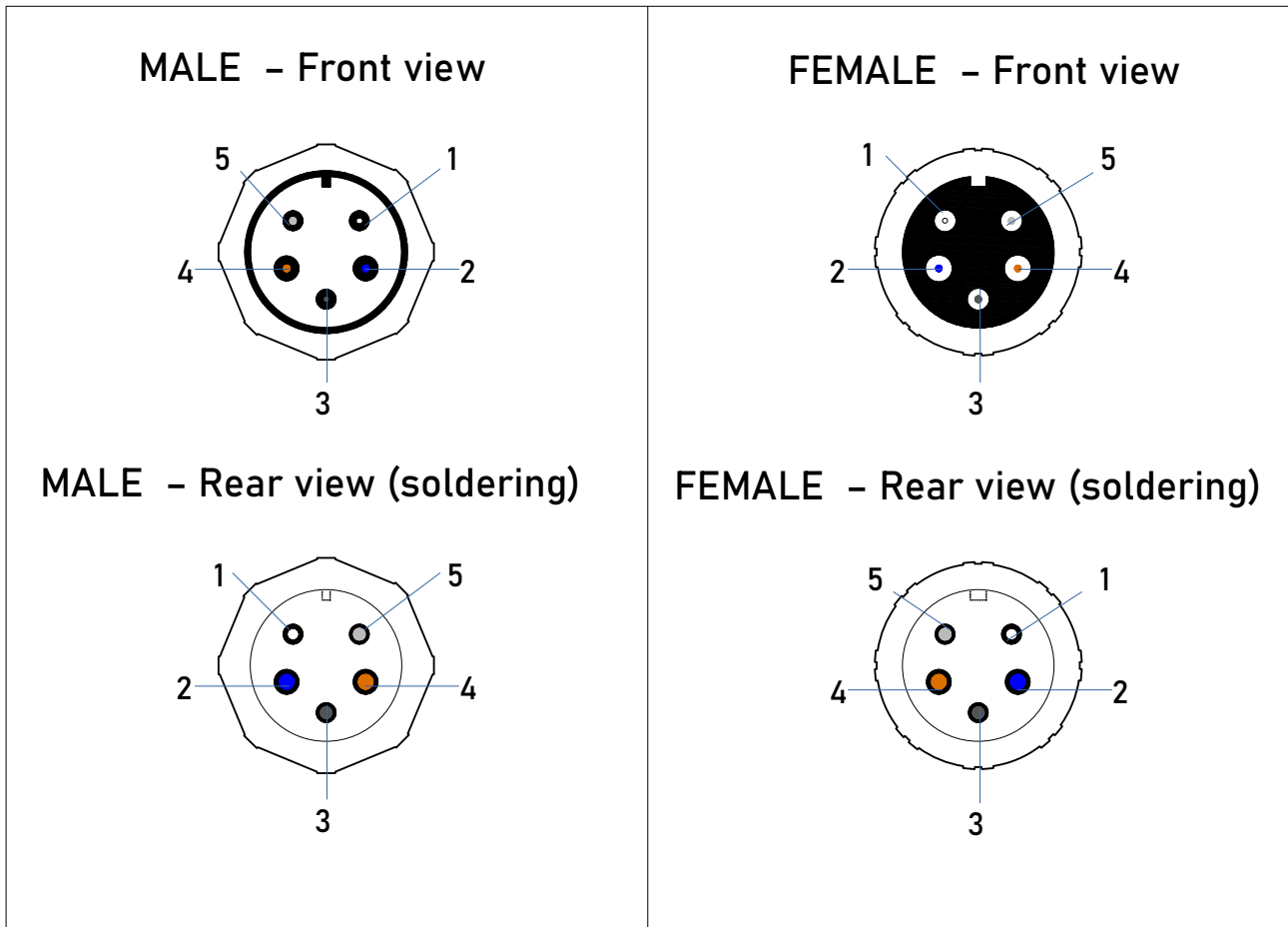
**Fig. 3**

- Mount the luminaire using the magnets located on the luminaire profile to the attached stainless steel holder on the facade. (Fig. 1)
- Make sure that the hybrid polymer adhesive applied to the stainless steel holder is bonded to the profile of the luminaire.

# 3. INSTALLATION

## 3.2 Connection

### 3.2.1 Wiring - Option A) with 5 pin IP67 connector



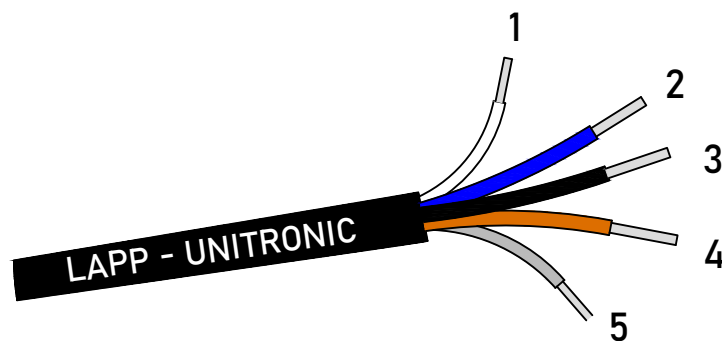
- 1.) White<sup>-</sup> (WHITE WIRE)
- 2.) Blue<sup>-</sup> (BLUE WIRE)
- 3.) Common + (BLACK WIRE)
- 4.) Red<sup>-</sup> (BROWN WIRE)
- 5.) Green<sup>-</sup> (GRAY WIRE)



## 3. INSTALLATION

### 3.2 Connection

#### 3.2.2 Wiring - Option B) open cable end



- 1.) White- (WHITE WIRE)
- 2.) Blue- (BLUE WIRE)
- 3.) Common + (BLACK WIRE)
- 4.) Red- (BROWN WIRE)
- 5.) Green- (GRAY WIRE)

## 3. INSTALLATION

### 3.3 IP connection - option open cable end

PRECILUM requirement:

Use a SCAME IP box or similar (not included).



Must be made a waterproof connection of at least IP68. We strongly recommend to use special two components silicone GEL for sealing junction boxes containing electrical connections. **If the IP rating of the connection is not observed, the complaint will not be accepted!**

For example:

<https://www.etelec.com/prodotto/mpgel/>

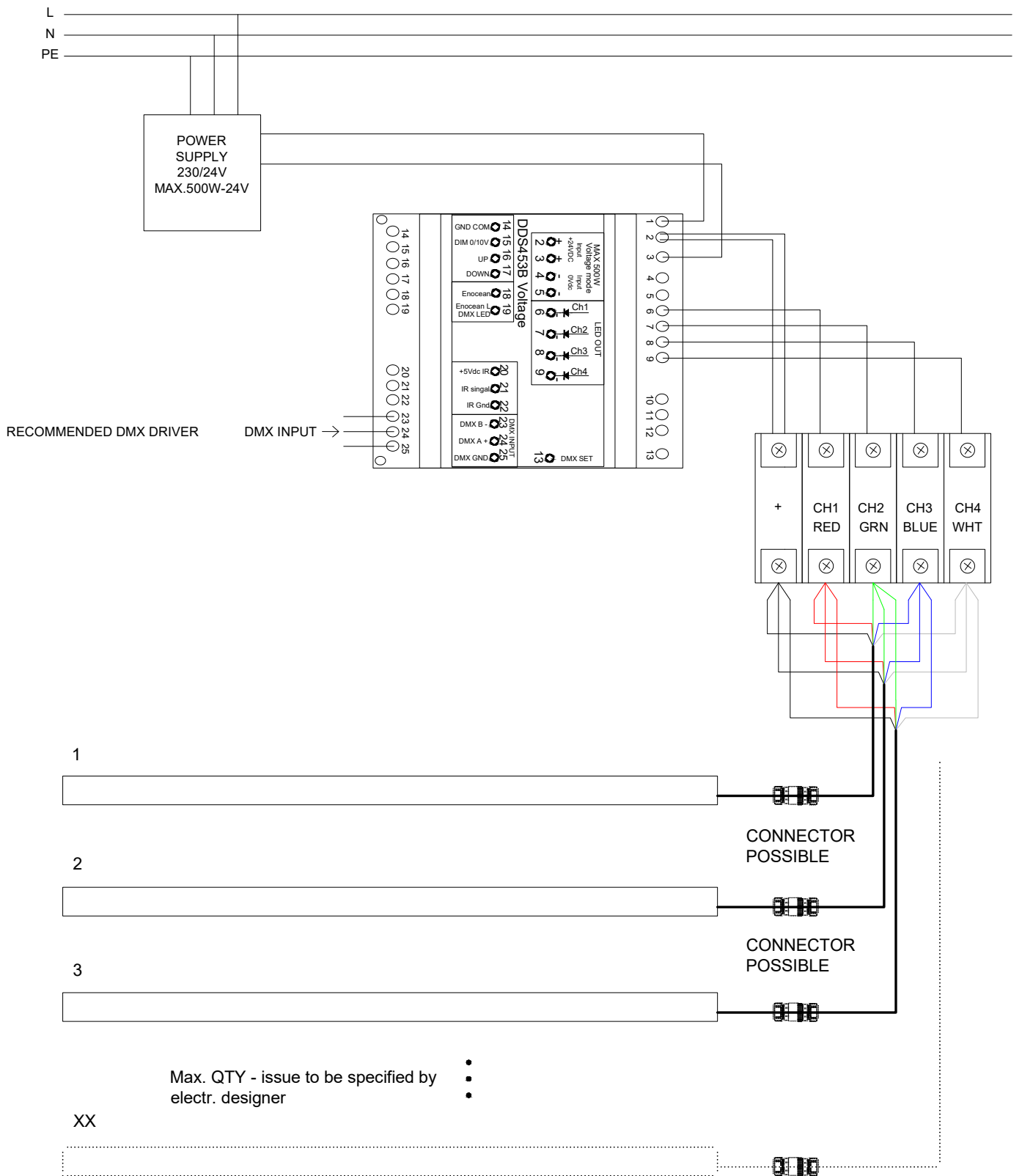
Video tutorial:

<https://www.youtube.com/watch?v=tj6ksKdzuE0>



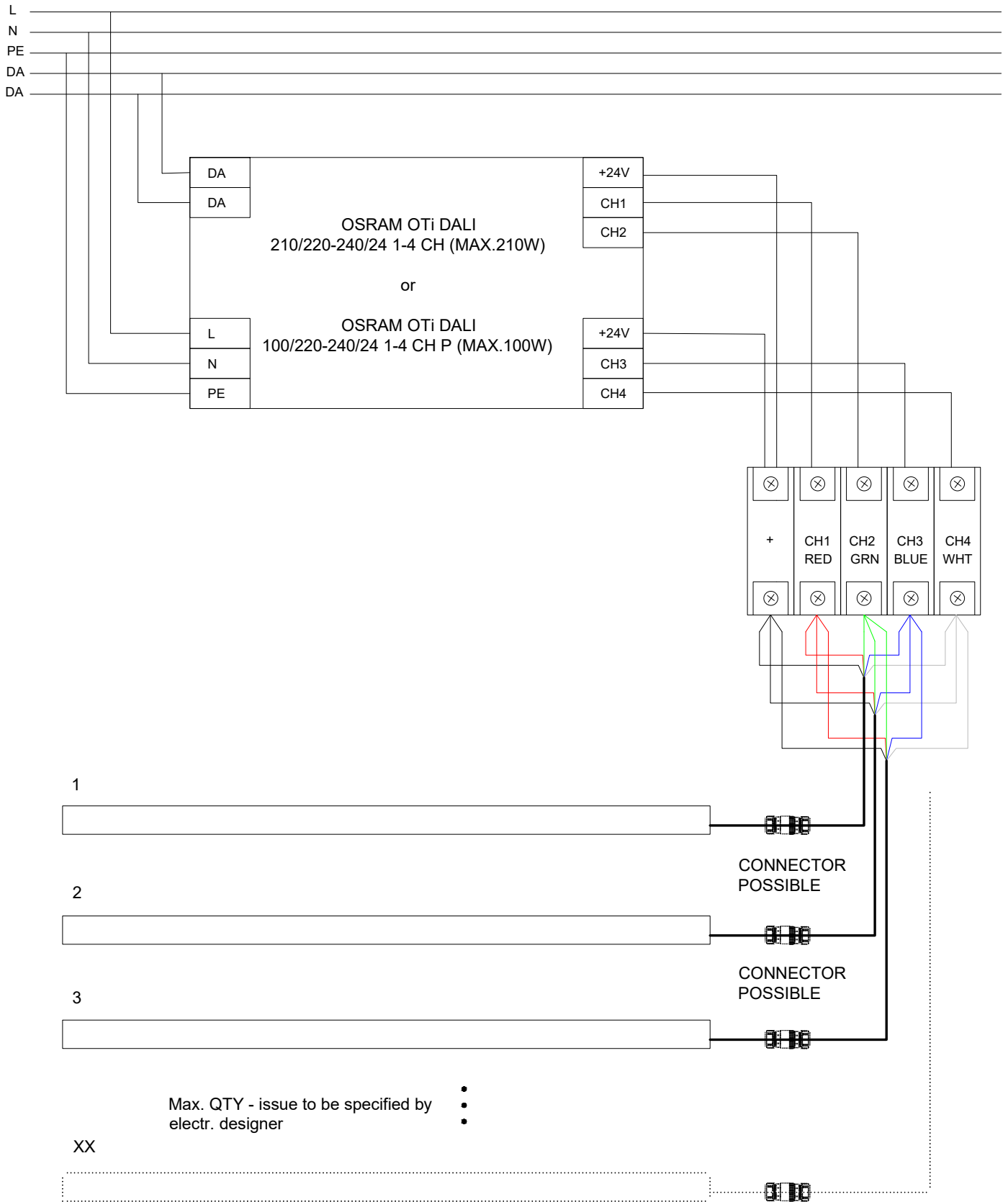
# 4. CONNECTION DIAGRAMS

## 4.1 DMX controll



# 4. CONNECTION DIAGRAMS

## 4.2 DALI controll



## 5. CARE AND MAINTENANCE

**PRECILUM™ PRODUCTS ARE OF SUPERIOR DESIGN AND QUALITY AND SHOULD BE TREATED WITH CARE. THE RECOMMENDATIONS BELOW WILL HELP FULFILL GAIN GOOD USE AND LONGEVITY FROM THE PRODUCTS.**

Clean the front cover at least every 6 months. Use a moist, lint-free cloth. Never use alcohol or solvents.

A scheduled maintenance programme must be carried out on the installation and the fittings regardless of their IP rating or application – these must include the following operations:

- Clean the fittings from dirt that may be deposited in the heads of the screws by following the installation instructions attached to each fitting.
- Check that the screws are not loose on the various components of the luminaire (glass frame, cable entry , ...).
- Check each cable gland, and cable for damage and that the cable gland has not come loose.
- For each Isolation Class 1 fitting check that the earth cable has not come loose. The clip must not show signs of oxidation,damage or become loose.
- For class 2 fittings check any eventual plastic / isolating covering in order to verify any damage.
- Check that all the seals are in good condition and that they are not damaged or split.

The internal components such as the ballasts, transformers, washers and screws must not show clear signs of oxidation or rust.

Clear traces of rust and oxidation will indicate the presence of water inside the luminaire.

In case of damage the components must be replaced by original components and spare parts before using the fitting.

We also recommend to check the fitting at least once a year or within the prescribed maintenance schedule period depending on the type of installation.

## 6. TECHNICAL SPECIFICATION

Mounting:	See 3. INSTALLATION
Optical system:	Wide
LED device:	Premiun quality LED strip
LED colour:	RGBW (4000K)
Input voltage:	24V DC SELV
Controll:	DMX, PWN
Power consupion:	19,2 W/m
Service lifetime:	100 000 hrs./L70 @25°C
Operation ambient temp:	-20°C/+50°C
Materials:	ALUMINIUM lightning body, POLYURETHANE UV stable
Cable:	LAPP - UNITRONIC
Dimensions:	See dimensional drawing
Enviroment:	IP67
Brackets:	MAGNET fixation points + STAINLESS STEEL holder
Weight:	0,7 kg/m
Accesories:	OVERLED CONSTANT VOLTAGE CONTROLLER <a href="#">Click here</a>  OTi DALI 100/220-240/24 1-4 CH P <a href="#">Click here</a>  OTi DALI 210/220-240/24 1-4 CH <a href="#">Click here</a>

## 7. WARRANTY STATEMENT

---

Precillum provides a product warranty for a period of five (5) years from date of purchase.

Please refer [www.precillum.com](http://www.precillum.com) for all warranty terms and conditions.



**Please check for latest updates and changes on the Precilum website.**

**©2021 PRECILUM s.r.o ALL RIGHT RESERVED. All specifications subject to change without notice.**

**WWW.PRECILUM.COM**