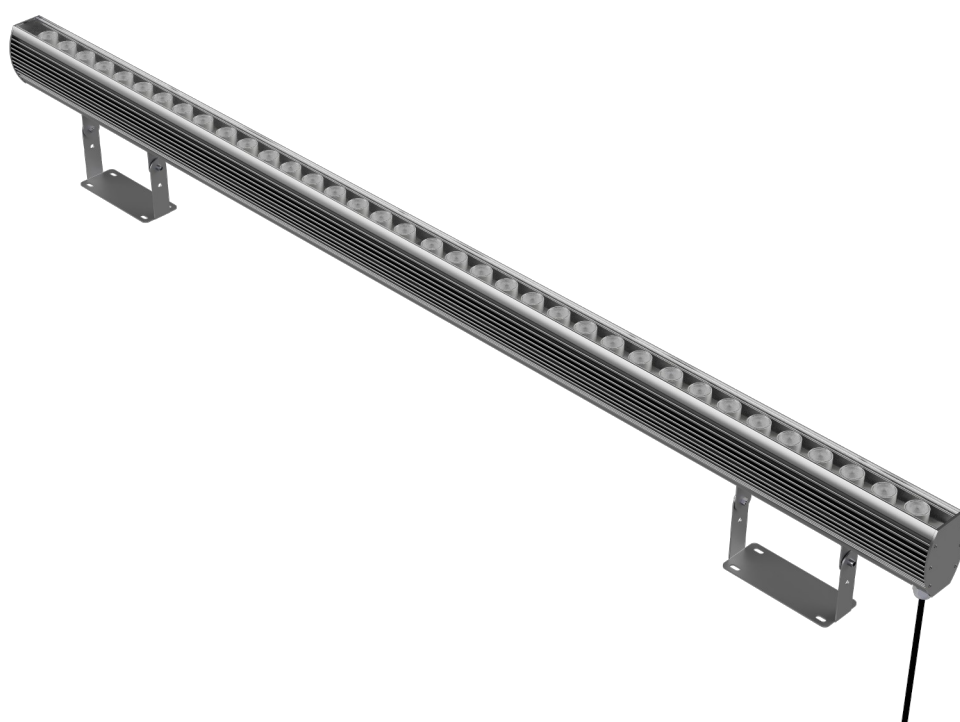


TRILOBIT

ON/OFF or DALI

Length = 300/600/900/1200/1500



INSTRUCTIONS MANUAL

PRECILUM[®]
SPECIAL LED LIGHTING SOLUTIONS

TABLE OF CONTENTS

1. INTRODUCTION	2
2. SAFETY AND OPERATION	6
3. INSTALLATION	7
4. CONNECTION DIAGRAMS	15
5. CARE AND MAINTENANCE	16
6. TECHNICAL SPECIFICATION	17
7. WARRANTY STATEMENT	18

LED



**Electrostatic Sensitive Device
(ESD)**

**FOR YOUR OWN SAFETY PLEASE READ THIS INSTRUCTION
MANUAL CAREFULLY BEFORE BEGINNING SETUP AND
INSTALLATION.**

1. INTRODUCTION

1.1 About the product

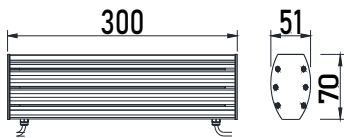
The modules generate white light by means of the high power LEDs. The products were designed for exterior use and they are ideal for locations where effect lighting with long lifetime is required. The TRILOBIT range combines OSRAM LED technology with a balanced design profile to create truly specific lighting systems. Using precision manufacturing techniques the TRILOBITE provides professional solutions for your lighting requirements. Also, it has a passive cooling for optimum thermal management.

It made using highest quality materials and construction methods, bringing the flexibility to outdoor application. This powerful lighting fixture is ideally suited to use in landscape and building illumination and IP66 ensures safe operation in even the most demanding areas.

1. INTRODUCTION

1.2 Dimensions of fixture

Length = 300 mm



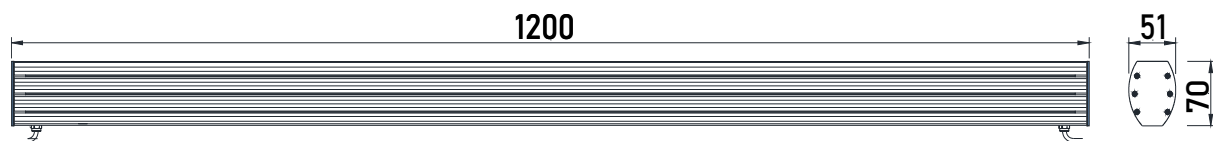
Length = 600 mm



Length = 900 mm



Length = 1200 mm



Length = 1500 mm

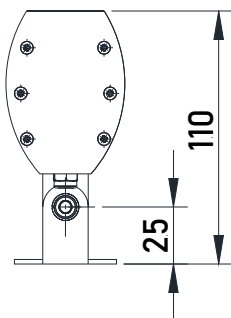


1. INTRODUCTION

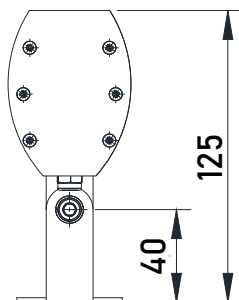
1.3 Dimensions of hanging bracket

1.3.1 Fixed bracket (Standard zinc plated or on request stainless steel)

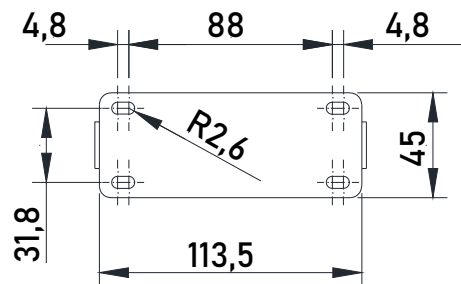
Bracket 25 mm:



Bracket 40 mm:

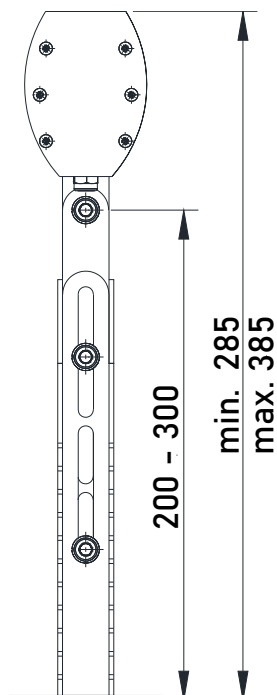


Wall mounted part:

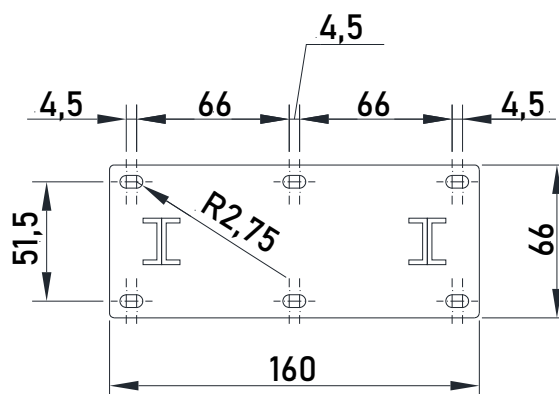


1.3.2 Adjustable bracket

Bracket 200 - 300 mm:



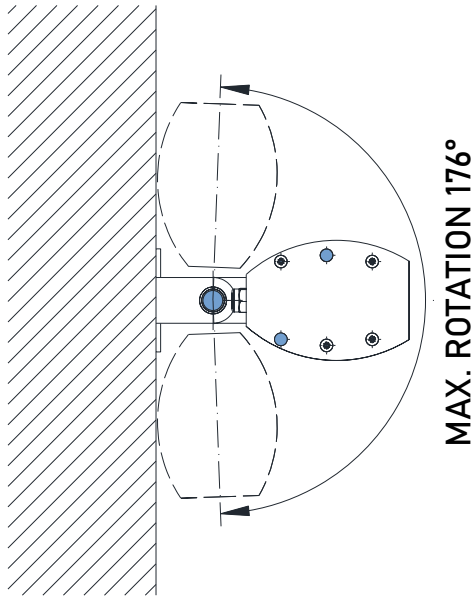
Wall mounted part:



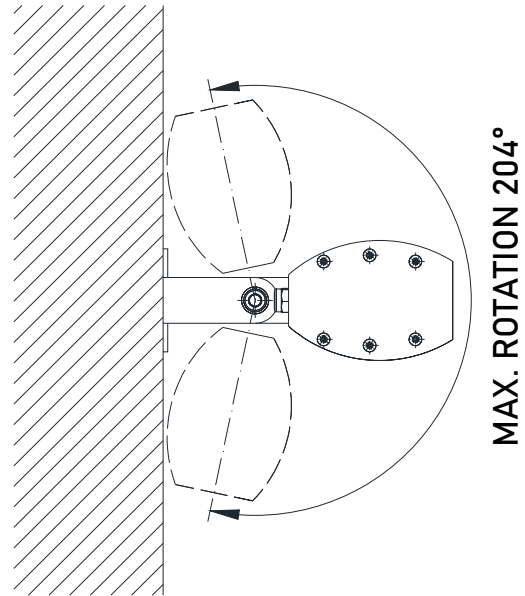
1. INTRODUCTION

1.3.3 Fixation methods

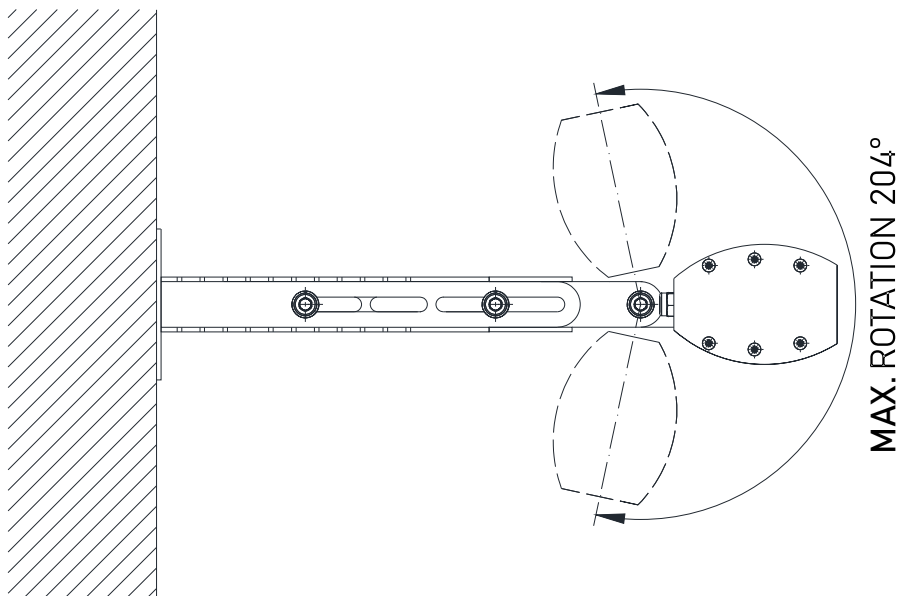
Bracket 25 mm:



Bracket 40 mm:



Bracket 200 - 300 mm:



2. SAFETY AND OPERATION

CAUTION - DANGEROUS VOLTAGE CONSTITUTING A RISK OF ELECTRIC SHOCK IS PRESENT WITHIN THIS UNIT!

CAUTION - THE POWER SUPPLY MUST BE UNPLUG FROM THE MAINS POWER BEFORE CONNECTING ANY CABLES TO AVOID DAMAGING THE PRODUCT!

CAUTION – FOR YOUR OWN SAFETY AVOID LOOKING DIRECTLY INTO THE LED LIGHT SOURCE!

ANY PERSONS WHO INSTALLING THIS PRODUCT MUST BE QUALIFIED FOR THE HANDLING OF ELECTRICAL EQUIPMENT AND INSTALLATION MUST BE PERFORMED WITH LOCAL STANDARTS AND REGULATIONS!

- Consider the respective national norms during the installation!
- Do not install the fixture near high inflammable liquids or materials.
- Do not looking directly into the LED light beam at close range.
- Turn off the power prior to light fixture installation!
- The light fixture may be installed only by a qualified person!
- The light fixture must be wired according to respective electrical standards.
- The manufacturer shall not be liable for any modifications of the product of incorrect installation of the product.
- Never install the luminaire on rain, fog or high humidity.

3. INSTALLATION

3.1 Installation of fixture

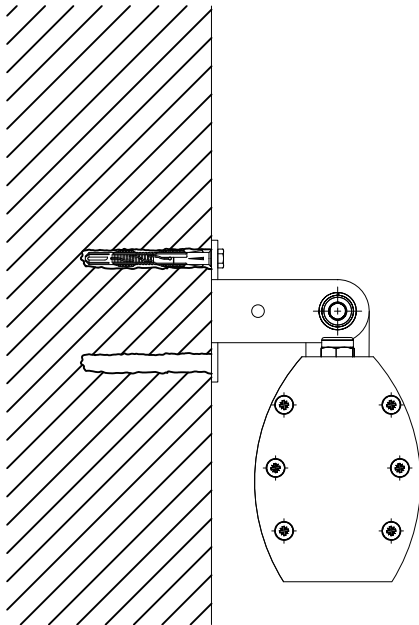


Fig. 1

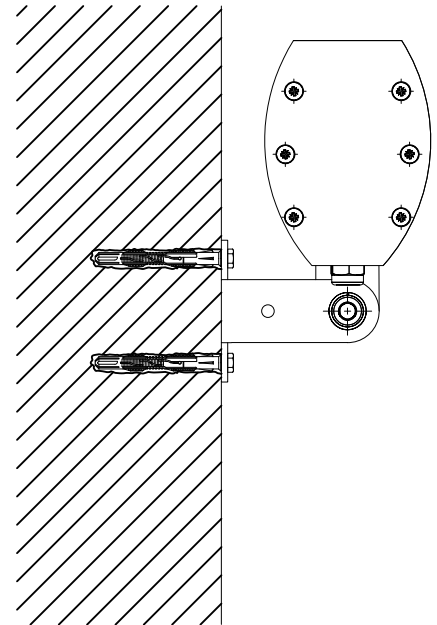


Fig. 2

- Drill the holes into the wall according to the holes in the hanging bracket.
- Mount the hanging bracket according Fig.1. Use dowels and screws. (Fig. 1)
- First screw the top of the bracket, then turn the luminaire and fix the other side. (Fig. 2)
- Make sure it is mounted firmly and precicely.

3. INSTALLATION

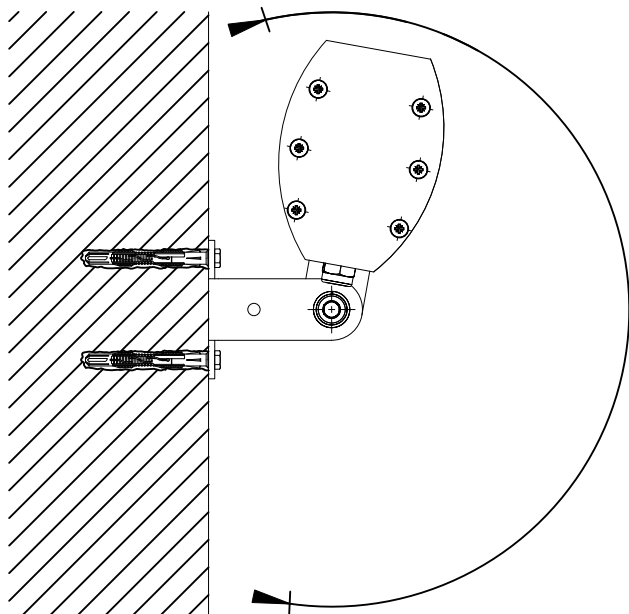


Fig. 3

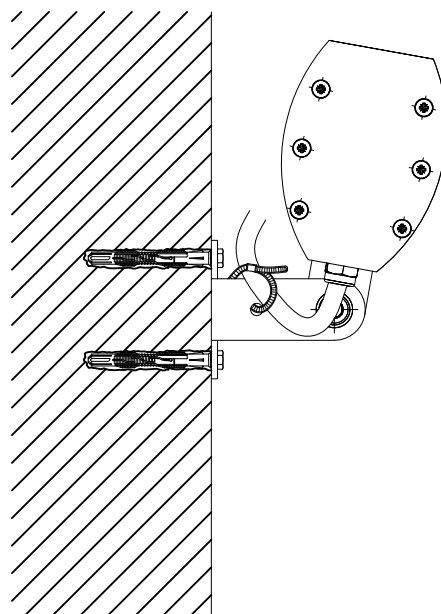


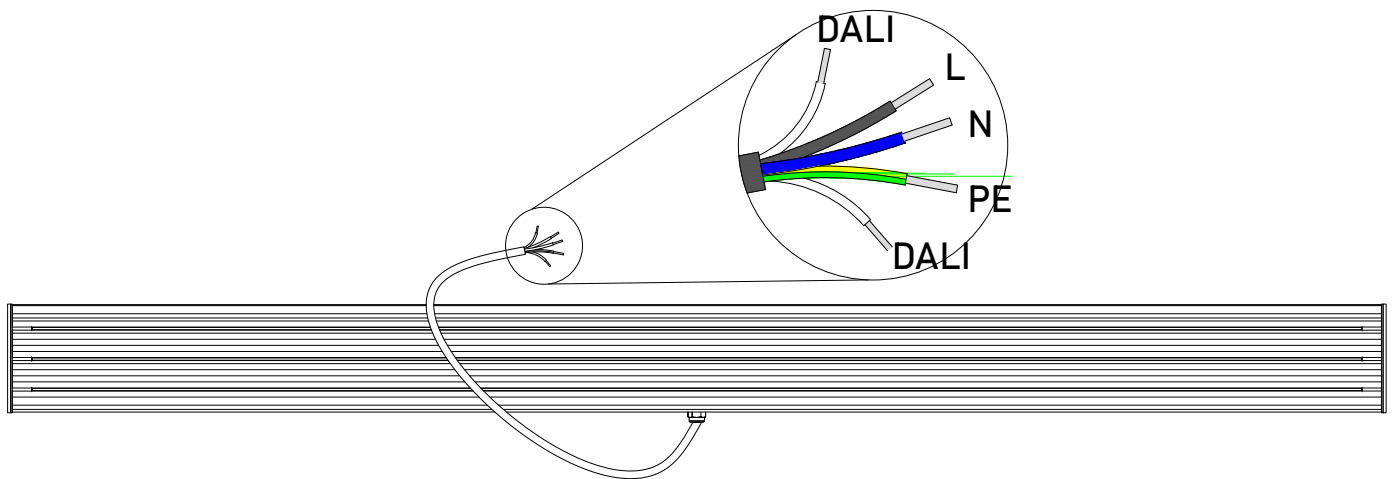
Fig. 4

- Adjust required angle of the luminaire. (Fig. 3)
- Stabilize the angle by tightening the screws. (Fig. 3)
- Fasten the cable coming out from the luminaire to the bracket using cable-ties in such a way that it does not touch the wall. By this way water will not be leaking on the wall. (Fig. 4)

3. INSTALLATION

3.2 Connection

3.2.2 Wiring - DALI option - cable output in the middle



Wire L (Live) – brown (black)

Wire N (Neutral) – blue

Wire PE (Earth) – yellow/green

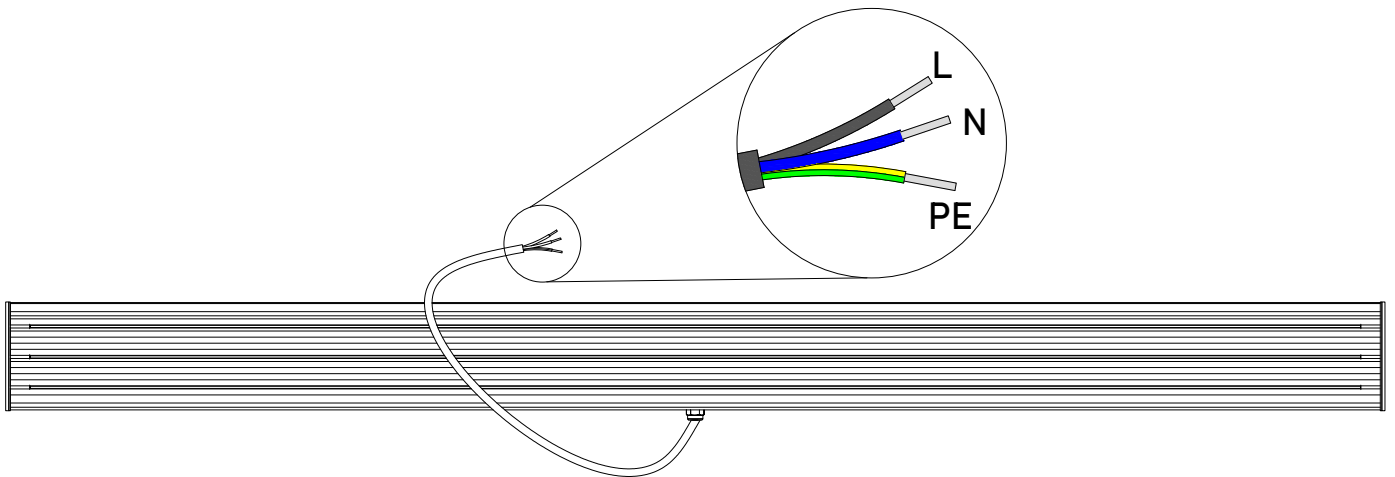
Wire DA1 (Dali) – white

Wire DA2 (Dali) – white

3. INSTALLATION

3.2 Connection

3.2.1 Wiring - ON/OFF option - cable output in the middle



Wire L (Live) – brown (black)

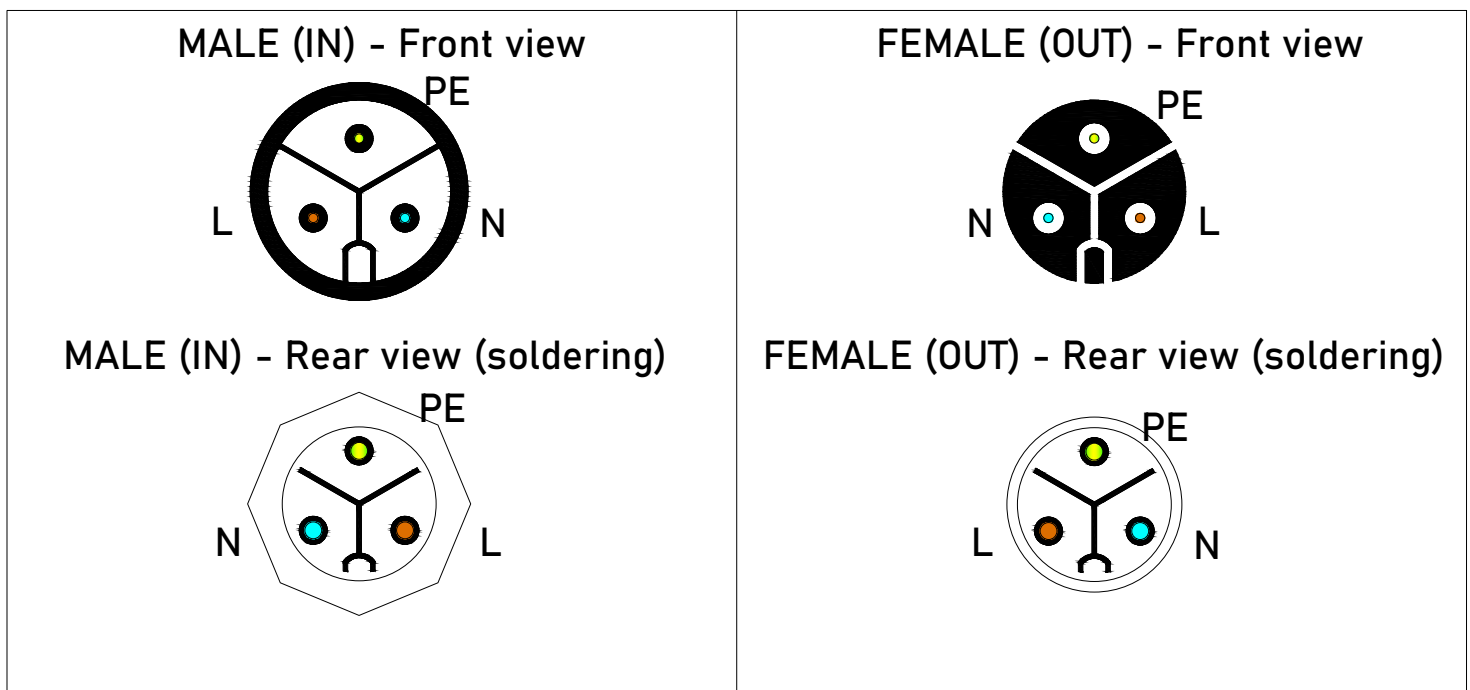
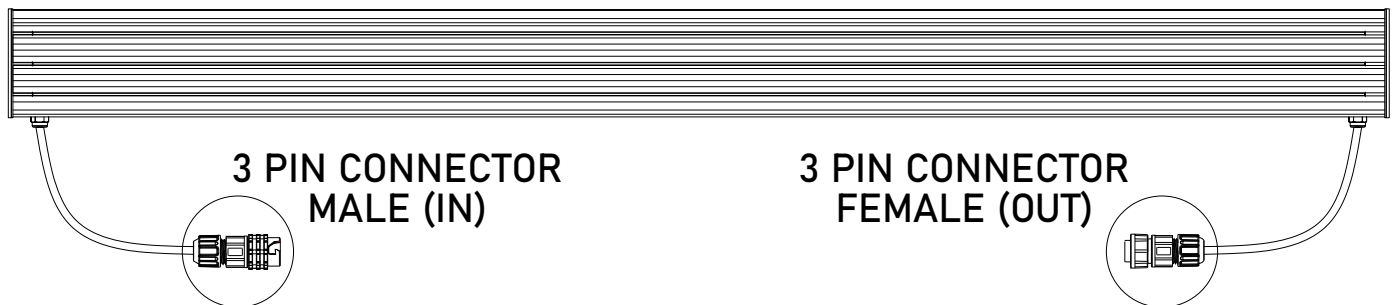
Wire N (Neutral) – blue

Wire PE (Earth) – yellow/green

3. INSTALLATION

3.2 Connection

3.2.3 Wiring - ON/OFF option - cable output IN/OUT



- Wire L (Live) – brown (black)
- Wire N (Neutral) – blue
- Wire PE (Earth) – yellow/green

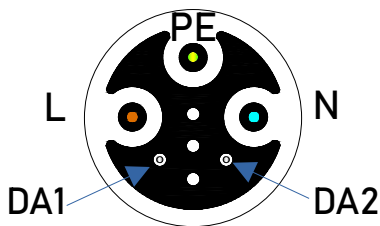
3. INSTALLATION

3.2 Connection

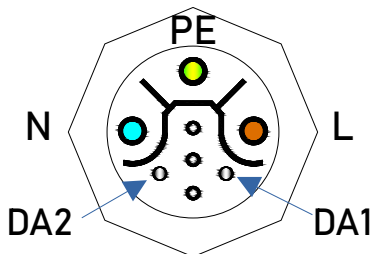
3.2.4 Wiring - DALI option - cable output IN/OUT



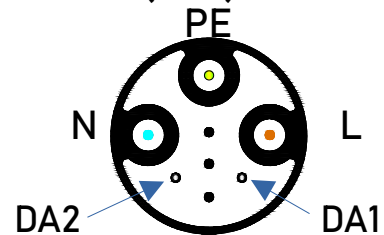
MALE (IN) - Front view



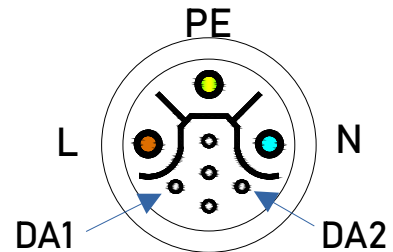
MALE (IN) - Rear view (soldering)



FEMALE (OUT) - Front view



FEMALE (OUT) - Rear view (soldering)



- Wire L (Live) – brown (black)
- Wire N (Neutral) – blue
- Wire PE (Earth) – yellow/green
- Wire DA1 (Dali) – white
- Wire DA2 (Dali) – white

3. INSTALLATION

3.3 IP connection - cable output in the middle

PRECILUM requirement:

Use a SCAME IP box or similar (not included).



Must be made a waterproof connection of at least IP68. We strongly recommend to use special two components silicone GEL for sealing junction boxes containing electrical connections. **If the IP rating of the connection is not observed, the complaint will not be accepted!**

For example:

<https://www.etelec.com/prodotto/mpgel/>

Video tutorial:

<https://www.youtube.com/watch?v=tj6ksKdzuE0>



3. INSTALLATION

3.3 IP connection - cable output in the middle

PRECILUM recommendation:

Use a TECHNO® IP circular junction connector (TeeTube®) or TECHNO® IP junction box (TeeBox®). Not included!



TeeTube®



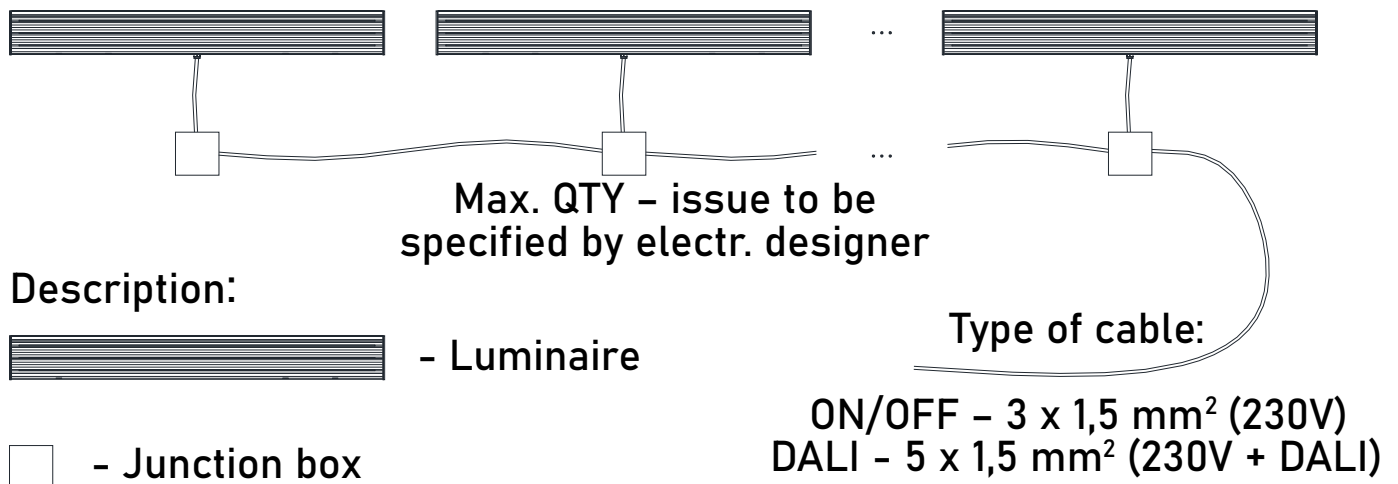
TeeBox®

- 3 poles (ON/OFF) TeeTube® (THR.390.S3T):
<https://www.techno.it/en/products/all/thr-390-s3t/>
- 5 poles (DALI) TeeTube® (THB.402.C1F.R):
<https://www.techno.it/en/products/all/thb-402-c1f-r/>
- 3 poles (ON/OFF) TeeBox® (THR.200.S3M):
<https://www.techno.it/en/products/all/thr-200-s3m/>
- 5 poles (DALI) TeeBox® (THB.200.E5E):
<https://www.techno.it/en/products/all/thb-200-e5e/>

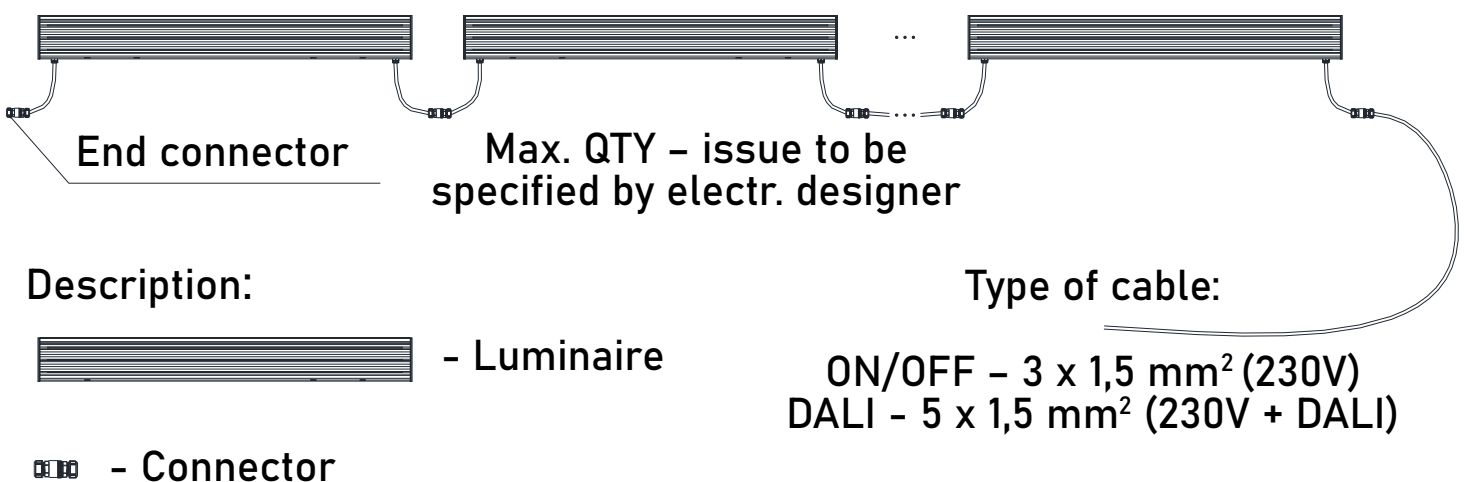
4. CONNECTION DIAGRAMS

4.1 ON/OFF or DALI option

4.1.1 Cable output in the middle



4.1.2 Cable output IN/OUT



5. CARE AND MAINTENANCE

PRECILUM™ PRODUCTS ARE OF SUPERIOR DESIGN AND QUALITY AND SHOULD BE TREATED WITH CARE. THE RECOMMENDATIONS BELOW WILL HELP FULFILL GAIN GOOD USE AND LONGEVITY FROM THE PRODUCTS.

Clean the front transparent cover at least every 6 months. Use a moist, lint-free cloth. Never use alcohol or solvents.

A scheduled maintenance programme must be carried out on the installation and the fittings regardless of their IP rating or application – these must include the following operations:

- Clean the fittings from dirt that may be deposited in the heads of the screws by following the installation instructions attached to each fitting.
- Check that the screws are not loose on the various components of the luminaire (glass frame, cable entry , ...).
- Check each cable gland, and cable for damage and that the cable gland has not come loose.
- For each Isolation Class 1 fitting check that the earth cable has not come loose. The clip must not show signs of oxidation,damage or become loose.
- For class 2 fittings check any eventual plastic / isolating covering in order to verify any damage.
- Check that all the seals are in good condition and that they are not damaged or split.

The internal components such as the ballasts, transformers, washers and screws must not show clear signs of oxidation or rust.

Clear traces of rust and oxidation will indicate the presence of water inside the luminaire.

In case of damage the components must be replaced by original components and spare parts before using the fitting.

We also recommend to check the fitting at least once a year or within the prescribed maintenance schedule period depending on the type of installation.

6. TECHNICAL SPECIFICATION

Mounting:	See 1.3 Dimensions of hanging bracket
Optical system:	Spot, Narrow, Medium, Wide, Flood, Oval, Assym.
LED device:	High power OSRAM LEDs
LED colour:	2700K, 3000K, 4000K, 5700K
Lumen output:	See datasheet
Input voltage:	230V 50Hz AC
Driver type:	Electronic control gear TRIDONIC
Max. power consumption:	TRILOBIT 300 13W (current 500mA) TRILOBIT 600 27W (current 500mA) TRILOBIT 900 40W (current 500mA) TRILOBIT 1200 54W (current 500mA) TRILOBIT 1500 67W (current 500mA)
Service lifetime:	100 000 hrs./L70 @25°C
Operation ambient temp:	-30°C/+45°C
Materials:	Housing: extruded aluminium Cover: clear tempered glass
Dimensions:	See dimensional drawing
Environment:	IP66
Weight:	TRILOBIT 300: 0,8 kg TRILOBIT 600: 1,9 kg TRILOBIT 900: 3,0 kg TRILOBIT 1200: 3,9 kg TRILOBIT 1500: 5,0 kg
Accessories:	See website

7. WARRANTY STATEMENT

Precillum provides a product warranty for a period of five (5) years from date of purchase.

Please refer www.precillum.com for all warranty terms and conditions.



Please check for latest updates and changes on the Precilum website.

©2021 PRECILUM s.r.o ALL RIGHT RESERVED. All specifications subject to change without notice.

WWW.PRECILUM.COM